

## **Model AM** *Army Type Trolley Hoist*



**Capacities** 1/4 to 5 metric Tons

**Suspension** Trolley (Available for patented track and wide flange beam)

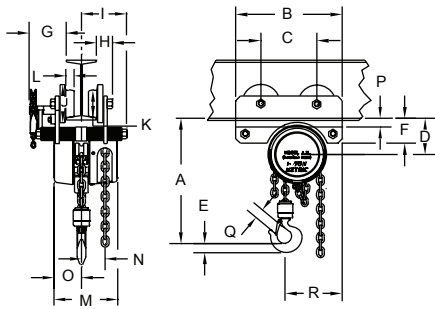
- Options**
- Chain container
  - Drop stops/bumpers
  - Zinc plated load and hand chain
  - Available for patented track and special beams
  - Load Limiter

### **Model AM Features**

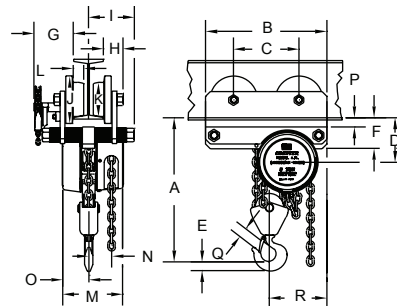
- Lightweight and compact
- Metric capacity
- Steel construction with heat treated load bearing components
- Steel gear and handwheel covers for impact resistance and durability
- Alloy steel heat treated load chain
- Forged steel hooks
- 4-to-1 design factor
- Simple assembly and low maintenance
- Tested to 125% of capacity
- Efficient, durable, replaceable components
- Excellent headroom
- Ball bearing fully machined wheels

**There's a BUDGIT Hoist Solution for Every job**

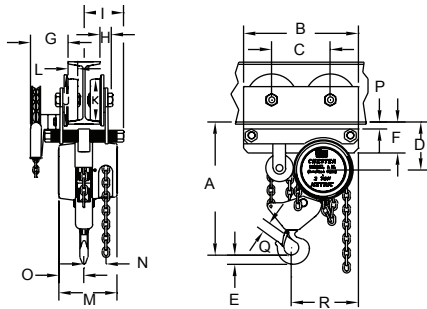
# Model AM



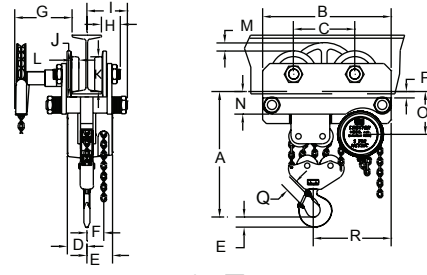
1/4 to 1 metric Ton



2 metric Ton



3 metric Ton



5 metric Ton

Capacity	Beam Flange Width	A	B	C	D	E	F	G	H	I	J	K	L	M	N	O	P	Q	R
Tons	in.	in.	in.	in.	in.	in.	in.	in.	in.	in.	in.	in.	in.	in.	in.	in.	in.	in.	in.
1/4																			
1/2	2-5/8 to 4-5/8	11-1/16	11-1/4	5-15/16	3-15/16	3/4	2-13/16	4-7/8	2-1/16	4-1/4	4	2-7/8	7/8	6-1/2	2-1/2	2-13/16	1-1/16	7/8	4-3/4
1																			
2	3 to 5-1/2	13-11/16	12-3/4	6-7/8	4-11/16	1	3-1/4	5	2	5-7/16	5	3-3/4	1-1/16	6-1/2	2-1/2	2-13/16	1	1	4-3/16
3	3-3/8 to 6	15-5/8	14	7-1/2	5-9/16	1-1/8	4-1/8	7-1/2	2-1/4	5-1/2	6	4-1/2	1-7/64	6-1/2	2-1/2	2-13/16	1-1/16	1-1/8	7
5	4 to 6-1/4	18-5/16	17-9/16	8-3/16	2-13/16	1-7/16	2-1/2	6-13/16	2-5/8	5-7/16	6-11/32	4-3/4	1	1-1/4	3-1/8	5-7/8	7/8	1-3/8	9-3/16

\* For plain units "I" is the same for both sides of the unit

Catalog #	Capacity	Standard Lift	Hoist Hand Chain Pull	Hand Chain Overall Per foot of Lift		Approx. Weight	Add for each additional foot of Lift over 10'	
				ft.	lbs.		lbs.	lbs.
913614 (plain)	1/4	10	64	44	90	1.2		
913622 (geared)	1/4	10	64	44	90	1.2		
913615 (plain)	1/2	10	64	44	90	1.2		
913623 (geared)	1/2	10	64	44	90	1.2		
913616 (plain)	1	10	64	44	90	1.2		
913624 (geared)	1	10	64	44	90	1.2		
913617 (plain)	2	10	66	88	105	1.8		
913625 (geared)	2	10	66	88	105	1.8		
913618 (plain)	3	10	68	132	125	2.5		
913626 (geared)	3	10	68	132	125	2.5		
913619 (plain)	5	10	70	220	160	3.6		
913627 (geared)	5	10	70	220	160	3.6		

## ⚠ WARNING

### To avoid injury:

- Do not exceed working load limit, load rating, or capacity.
- Do not use to lift people or loads over people.
- Read and follow all instructions

**There's a BUDGIT Hoist Solution for Every job**

**CORNERSTONE**  
MATERIAL HANDLING

1-877-611-2644 www.cornerstonematerialhandling.com