

The equipment illustrated and described in this bulletin is designed for manual operation only and is not to be power driven, nor is it suitable for lifting people.

IMPORTANT

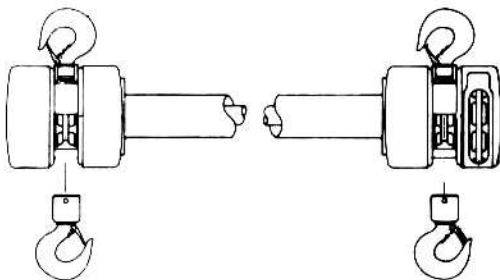
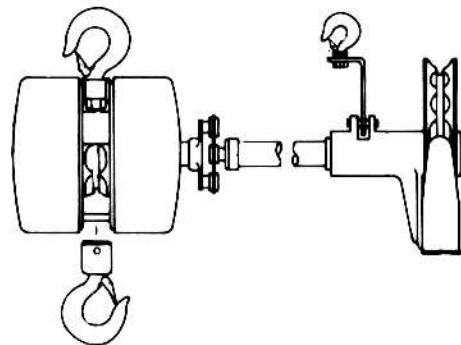
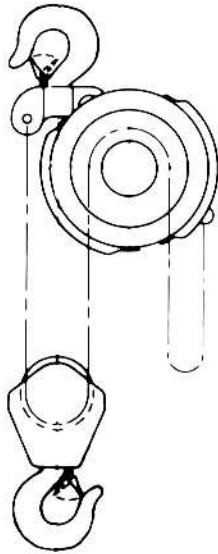
PZ482

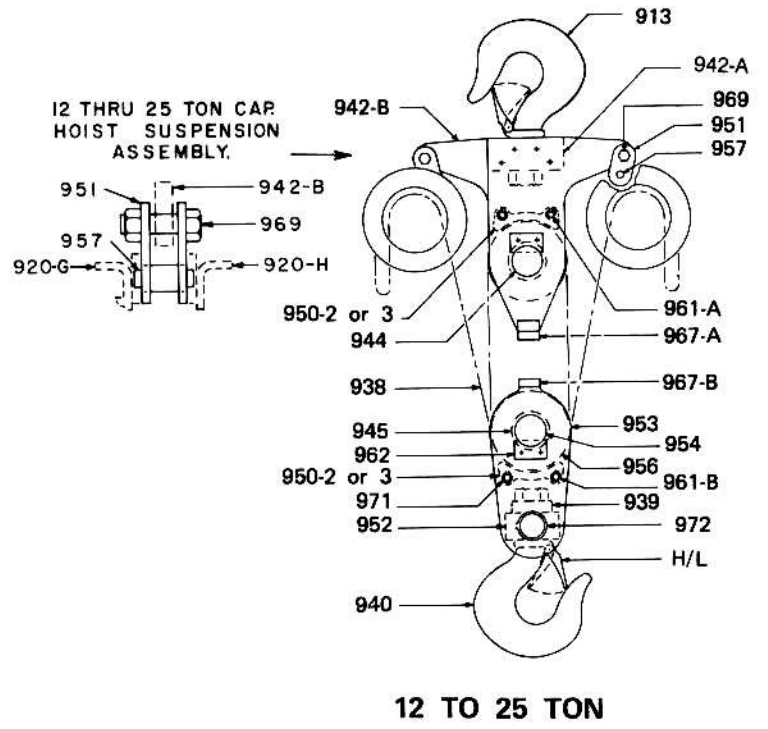
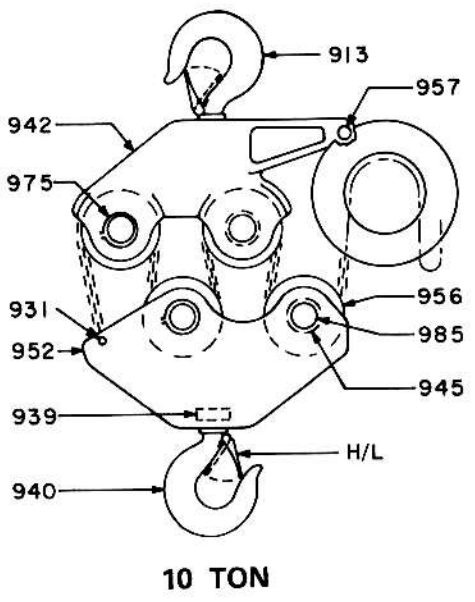
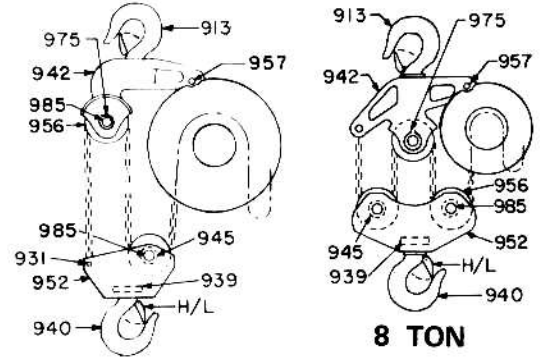
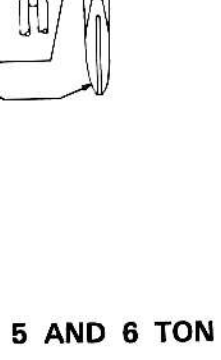
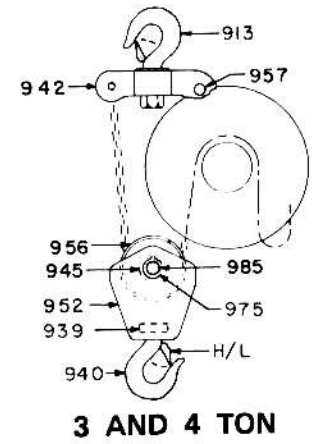
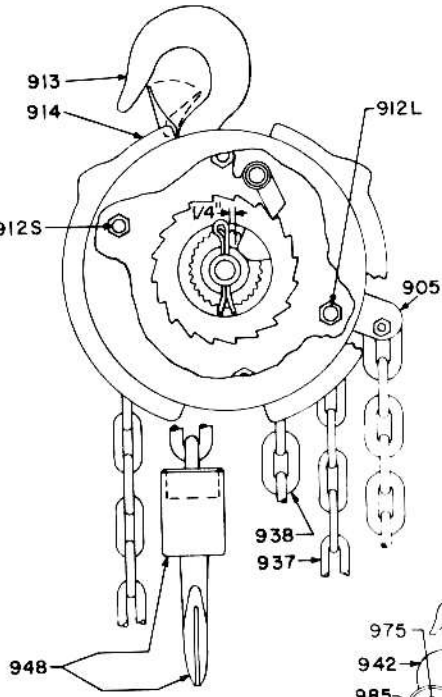
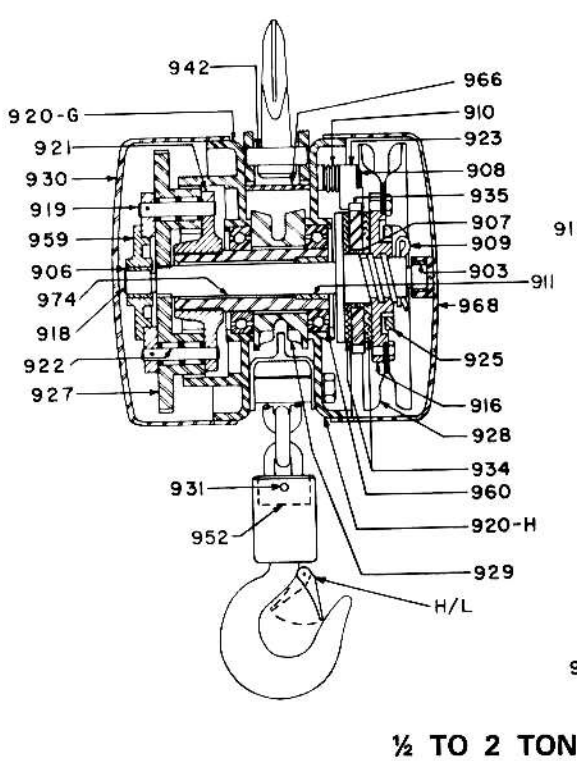
Keep
for Future
Reference

Service Instructions and Parts List

Zephyr

SPUR GEARED HOIST, EXTENDED HANDWHEEL HOIST, and TWIN HOOK HOIST

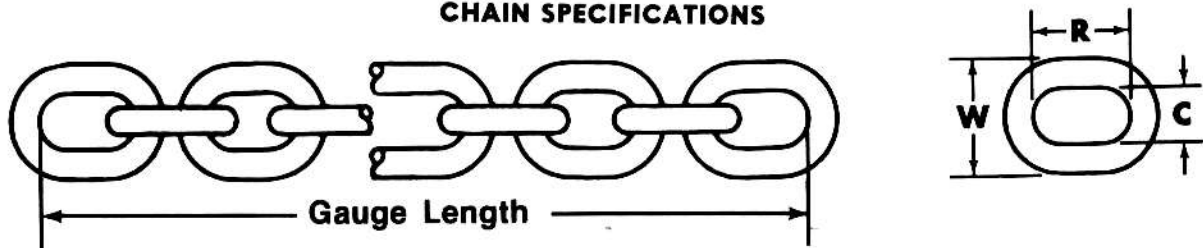




PART NO.	DESCRIPTION	QUANTITIES PER CAPACITY IN TONS												
		1/4	1/2	1	1 1/2	2	3	4	5&6	8	10	12	16	20
903	Bronze Bushing in Handwheel Cover	1	1	1	1	1	1	1	1	1	2	2	2	2
905	Load Chain Guide	1	1	1	1	1	1	1	1	1	2	2	2	2
906	Bronze Bushing for 959	1	1	1	1	1	1	1	1	1	2	2	2	2
907	Ratchet Bushing for 935	1	1	1	1	1	1	1	1	1	2	2	2	2
908	Pawl Snap Ring	1	1	1	1	1	1	1	1	1	2	2	2	2
909	Cotter Pin	1	1	1	1	1	1	1	1	1	2	2	2	2
910	Pawl Spring	1	1	1	1	1	1	1	1	1	2	2	2	2
911	Bronze Bushing for 974	—	—	1	1	1	1	1	1	1	2	2	2	2
912L	Large Separator Stud	—	—	1	1	1	1	1	1	1	1	1	1	1
912S	Small Separator Stud	—	—	3	3	3	3	3	3	3	3	3	3	3
913	Top Hook & Nut	1	1	1	1	1	1	1	1	1	1	1	1	1
914	Hand Chain Guide	2	2	2	2	2	2	2	2	2	4	4	4	4
916	Handwheel Treaded Insert	1	1	1	1	1	1	1	1	1	2	2	2	2
918	Spindle	1	1	1	1	1	1	1	1	1	2	2	2	2
919	Gear & Pinion Shaft	1	2	2	2	2	2	2	2	2	4	4	4	4
920G	Internal Gear Frame	1	1	1	1	1	1	1	1	1	2	2	2	2
920H	Handwheel Side Frame	1	1	1	1	1	1	1	1	1	2	2	2	2
921	Pinion Cage	1	1	1	1	1	1	1	1	1	2	2	2	2
922	Needle Bearings for Gear & Pinion	2	4	4	4	4	4	4	4	4	8	8	8	8
923	Pawl	1	1	1	1	1	1	1	1	1	2	2	2	2
925	Adjustable Check Ring	1	1	1	1	1	1	1	1	1	2	2	2	2
927	Gear & Pinion	1	2	2	2	2	2	2	2	2	4	4	4	4
928	Handwheel	1	1	1	1	1	1	1	1	1	2	2	2	2
929	Load Sheave	1	1	1	1	1	1	1	1	1	2	2	2	2
930	Gear Cover	1	1	1	1	1	1	1	1	1	2	2	2	2
931	Drive Pin	1	1	1	1	—	—	—	—	—	—	—	—	—
934	Brake Disc, Per/Pair	1	1	1	1	1	1	1	1	1	2	2	2	2
935	Ratchet with 907 Bushing	1	1	1	1	1	1	1	1	1	2	2	2	2
937	Hand Chain	1	1	1	1	1	1	1	1	1	2	2	2	2
938	Load Chain	1	1	1	1	1	1	1	1	1	1	1	1	1
939	Thrust Bearing	—	—	—	—	1	1	1	1	1	1	1	1	1
940	Bottom Hook & Nut	—	—	—	—	1	1	1	1	1	1	1	1	1
H/L	Hook Latch	2	2	2	2	2	2	2	2	2	2	2	2	2
942	Top Hook Crosshead or Yoke	1	1	1	1	1	1	1	1	1	—	—	—	—
942A	Top Yoke Block	—	—	—	—	—	—	—	—	—	1	1	1	1
942B	Top Yoke Side Plate	—	—	—	—	—	—	—	—	—	2	2	2	2
944	Top Sheave Pin	—	—	—	—	—	—	—	—	—	1	1	1	1
945	Idler Sheave Bearing	—	—	—	—	1	1	2	3	4	5	7	9	11
948	Bottom Hook Assembly	1	1	1	1	—	—	—	—	—	—	—	—	—
950-2	Top or Bottom Chain Guide - 2 Grooves	—	—	—	—	—	—	—	—	—	1	2	3	1
950-3	Top or Bottom Chain Guide - 3 Grooves	—	—	—	—	—	—	—	—	—	1	1	1	3
951	Hoist Clevis	—	—	—	—	—	—	—	—	—	4	4	4	4
952	Bottom Block or Crosshead	1	1	1	1	1	1	1	1	1	1	1	1	1
953	Bottom Block Side Plates	—	—	—	—	—	—	—	—	—	2	2	2	2
954	Bottom Sheave Pin	—	—	—	—	—	—	—	—	—	1	1	1	1
956	Top or Bottom Idler Sheave	—	—	—	—	1	1	2	3	4	5	7	9	11
957	Top Yoke Pin	—	—	—	—	1	1	1	1	1	2	2	2	2
959	Pinion Cage Bearing Block	1	1	1	1	1	1	1	1	1	2	2	2	2
960	Load Sheave Shaft Bearing	2	2	2	2	2	2	2	2	2	4	4	4	4
961A	Top Idler Guide Pin	—	—	—	—	—	—	—	—	—	2	2	2	2
961B	Bottom Idler Guide Pin	—	—	—	—	—	—	—	—	—	2	2	2	2
962	Top or Bottom Idler Axle Keeper	—	—	—	—	—	—	—	—	—	2	2	2	2
966	Load Sheave Shield	1	1	1	1	1	1	1	1	1	2	2	2	2
967A	Top Yoke Contact Bar	—	—	—	—	—	—	—	—	—	1	1	1	1
967B	Bottom Block Contact Bar	—	—	—	—	—	—	—	—	—	1	1	1	1
968	Handwheel Cover with 903 Bushing	1	1	1	1	1	1	1	1	1	2	2	2	2
969	Hoist Clevis Bolt & Nut	—	—	—	—	—	—	—	—	—	2	2	2	2
971	Top or Bottom Guide Pin Snap Ring	—	—	—	—	—	—	—	—	—	8	8	8	8
972	Bottom Crosshead (952) Snap Ring	—	—	—	—	—	—	—	—	—	2	2	2	2
974	Load Shaft, Splined	1	1	1	1	1	1	1	1	1	2	2	2	2
975	Snap Ring for 985 Sheave Axle	—	—	—	—	2	2	4	6	8	—	—	—	—
985	Top or Bottom Sheave Axle	—	—	—	—	1	1	2	3	4	—	—	—	—
998	SPECIAL FASTENERS (NOT SHOWN) Gear (930) & Handwheel (968) Cover Screw	8	8	8	8	8	8	8	8	8	16	16	16	16
999	Hand Chain Guide (914) Screw	8	8	8	8	8	8	8	8	8	16	16	16	16

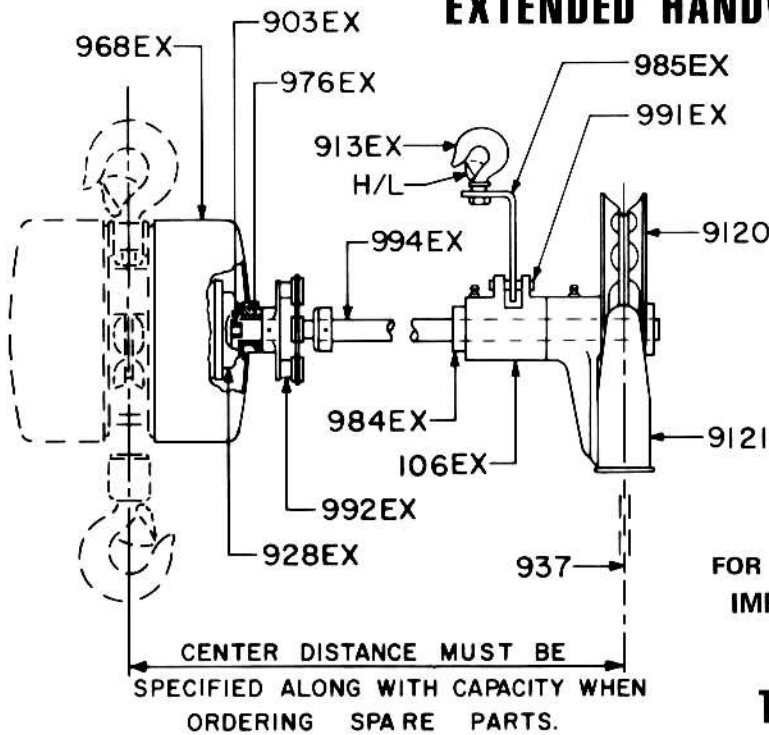
PART PRICES ON REQUEST - CONTACT FACTORY.

CHAIN SPECIFICATIONS



Use and Descriptions	Chain Size	C	W	R	Gauge Length	Net Weight
HAND CHAIN						
All Capacities	15/64"	.347	.878	1.056	19 links: 20.064'	.46 lbs., ft.
LOAN CHAINS						
1/4 - 1/2 ton	9/32"	.313	.876	.797	25 links: 19.925	.75 lbs., ft.
1 ton (Alloy)	9/32"	.313	.876	.797	25 links: 19.925	.75 lbs., ft.
1 1/2, 2, 3, 4, 5, 6, 8, 10 thru 25 ton	3/8"	.456	1.206	1.155	13 links: 15.015	1.23 lbs., ft.

EXTENDED HANDWHEEL HOIST

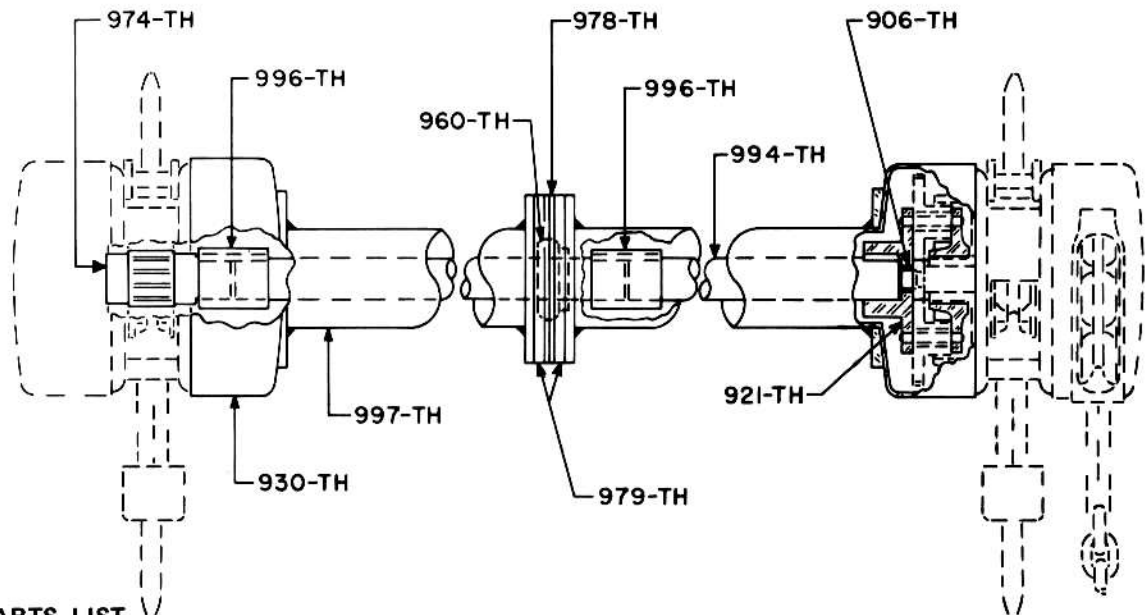


EXTENDED HANDWHEEL PARTS LIST

PART NO.	DESCRIPTION
106EX	Extension Support Casting
903EX	Bronze Bushing in Handwheel Spider ($\frac{1}{2}$ & 1 Ton Cap. - Only)
913 EX	Extension Hook with Nut
H/L	Hook Latch
928EX	Handwheel Spider with Bushing
937	Hand Chain
968 EX	Extended Handwheel Cover with Bushing
976EX	Bronze Bushing for Handwheel Cover
984EX	Locking Collar
991EX	Support Arm Bolt & Nut
992EX	Flexible Coupling Assembly
994EX	Drive Shaft
985EX	Extension Support Arm
9120	Handwheel with Set Screw & Key
9121	Handwheel Swinging Guard

FOR BALANCE OF HOIST PARTS SEE MAIN PARTS LIST.
**IMPORTANT: SPECIFY HOIST SERIAL
 NUMBER WHEN ORDERING PARTS**

TWIN HOOK HOIST



TWIN HOOK HOIST PARTS LIST

PART NO.	DESCRIPTION
906-TH	Bronze Bushing for 921-TH
921-TH	Pinion Cage with Key & 906-TH Bushing
930-TH	Flange Side Hoist Cover with 998 Cover Screws
974-TH	Dummy Load Shaft
994-TH	Drive Shaft
996-TH	Drive Shaft Coupling(s) with Key(s)
997-TH	Spacer Tube with Flanges & Fasteners

PARTS FOR UNITS WITH CENTER BEARING

960-TH	Center Bearing with Locking Collar
978-TH	2 Pc. Center Bearing Pressed Steel Stamping
979-TH	Center Bearing Housing Spacer

**IMPORTANT:
 SPECIFY HOIST SERIAL NUMBER
 WHEN ORDERING PARTS**

PART PRICES ON REQUEST - CONTACT FACTORY.

FOR BALANCE OF HOIST PARTS SEE MAIN PARTS LIST.