

FOREWORD

This manual has been prepared to acquaint you with the general aspects of the installation, operation, and maintenance of the Robbins & Myers equipment you have purchased. It is our earnest desire to express our appreciation for the privilege of serving you.

We feel that the advantage of advanced engineering, based on more than 50 years' experience in designing hoists and cranes for all types of industrial service — plus superior workmanship and the highest quality materials available — will provide you the utmost satisfaction through the years.

Proper installation is important to the ultimate performance of this equipment. Careful study of the instructions will assure safe, dependable operation. It is also recommended that you keep this manual readily accessible in case of an emergency.

Standard Guarantee and Warranty

The Company will repair or replace, at its option, defects in material or workmanship developing within one year from date of shipment from the factory, providing the Company receives immediate written notice of such defects upon their discovery and such claims are substantiated by the Company's inspection department. Correction of such defects by repair or replacement, FOB the Company's factory, shall constitute fulfillment of this guarantee. The return of all parts submitted for inspection under this guarantee must be authorized by the Company and transportation prepaid by the shipper. The guarantee will not be applicable unless the apparatus has been properly cared for and operated under normal conditions. The Company will not be responsible for damage resulting from improper storage or handling prior to placing the apparatus in service. The Company has no liability for any repairs made outside the Company's factory unless with the prior written consent of the Company.

Guarantee on Purchased Items. The guarantee of the Company on purchased items, assemblies, or accessories which are installed as a separate unit shall not extend beyond the guarantee made by the manufacturer of the item, assembly, or accessory.

How to Order Repair Parts Correctly

The Parts Catalog section of this manual covers replacement parts required for your Robbins & Myers hoist and/or crane. To assure prompt service, each repair parts order must contain the following information:

- 1) Hoist and/or crane serial number (see cover).
- 2) Capacity.
- 3) Reference number from applicable bulletin.
- 4) Quantity.
- 5) Description.
- 6) Voltage, phase, cycles.
- 7) Correct shipping destination.

On the brass nameplate will be found the Serial Number of your hoist or crane — i.e., Serial No. H ---, J ---, or C ---, or as in the case of the most recently built units, it may show a five-digit number followed by two letters and another number. An example of this type serial number would be 37885PP1. Without this serial number we cannot be sure of sending you correct parts, so *always mention serial number for prompt service.*

Minimum Charges

All orders for repair parts are subject to a minimum charge.

Return of Parts

Robbins & Myers, Inc., will not accept return of any parts unless accompanied by a claim tag. These claim tags are issued at the time authorization of such return is made. Tags must be attached to the outside of the package.

Claims

All shipments are carefully inspected and are delivered to the carrier in good order. Upon receipt of shipment caution should be exercised that there is no loss or damage. If damage has occurred, refuse to accept the

shipment until the carrier makes the proper notation to that effect. In the event of concealed loss or damage, notify the carrier immediately. By following these suggestions you will encounter less difficulty collecting your claim.

Orders telephoned or telegraphed to us must immediately be confirmed by letter since we cannot assume responsibility for the correctness of the phone or telegraphed message.

Robbins & Myers spare parts are available locally in major industrial areas. Should it be necessary to order parts direct, they should be addressed as follows:

MATERIAL HANDLING DIVISION
CUSTOMER SERVICE DEPARTMENT
ROBBINS & MYERS, INC.
1345 LAGONDA AVENUE
SPRINGFIELD, OH 45501

IT IS IMPORTANT THAT THE PERSONS OPERATING OR SERVICING THE HOIST BE FAMILIAR WITH THE PRACTICES CONTAINED IN THIS MANUAL, FOR THEIR OWN PROTECTION AND FOR THE PROTECTION OF OTHER WORKMEN AND EQUIPMENT.

TABLE OF CONTENTS

<i>Section</i>	<i>Page</i>
1. Installation	
General	1-1
Mounting	1-1
Reeving	1-1
Lubrication	1-2
Power Connections	1-2
2. Initial Start Up	
Proper Hook Motion	2-1
Proper Trolley Motion	2-1
Limit Switch Action	2-1
No-Load Operational Checks	2-2
Load/Run Test	2-2
3. Safe Operating Practices	
Do's and Don'ts	3-1
4. Operation Maintenance	
Typical Construction	4-1
Motors/Couplings	4-2
Hoist Motor Brake	4-2
Gearcase Assembly	4-2
Mechanical Load Brake	4-3
Frame and Drum	4-3
Wire Rope	4-3
Bottom Block/Sheaves	4-5
Controls/Enclosures	4-5
Limit Switch	4-6
5. Preventative Maintenance	
Inspection/Preventative Maintenance Schedule	5-1
Troubleshooting	5-2
Lubrication Schedule	5-5
6. Spare Parts Identification/Adjustment and Replacement Instructions	
Hoist Gear Case
Load Brake Adjustment
Bottom Block
Reeving
Trolley Components
Trolley Adjustment
Trolley Motor
Hoist Frame & Components
Hoist Controls
Hoist Motor Brake
Wiring Diagram
Misc.

SECTION 1 INSTALLATION

IMPORTANT

Hoists/trolleys are designed for lifting and transporting of materials only. Under no conditions, either during initial installation or in regular use, are hoists to be used for lifting or transporting of personnel.

General

Each complete Robbins & Myers hoist is load tested at the factory at 125% of rated capacity, and shipped assembled. Units purchased and shipped without motors and/or bottom blocks are bench run only and require load testing at the job site by the user after installation.

All hoists/trolleys are designed for the type of mounting specified by the purchaser. The adequacy of the supporting members (monorail beams, hangers, supports, framing, etc.) is the responsibility of the user.

Prior to installation, unit should be checked over for damage during shipment or handling at the job site. Particular attention should be taken to make sure that the hoisting cable and limit switch mechanism has not been damaged by improper use of fork lifts or sling chains.

Read the instructions contained in this manual and observe the warning tags attached before installation is started.

Mounting

Before installing trolley mounted hoists, make certain that the trolley wheel contour is correct for the type of monorail beam the trolley is to run on. WF beams and patented monorail tracks should have flat flanged wheels, while standard I-beams should have contoured tapered tread.

On rolled I-beams or WF sections wheel clearance must be such that there is approximately $\frac{1}{8}$ " clearance between wheel flange and rail with hoist/trolley centered on the beam. See Figure 1-1.

Trolleys designed to run on patented type rails should have $\frac{1}{16}$ " clearance. See Figure 1-2. Type MSM trolleys (J and F series hoists) are preset at the factory and are

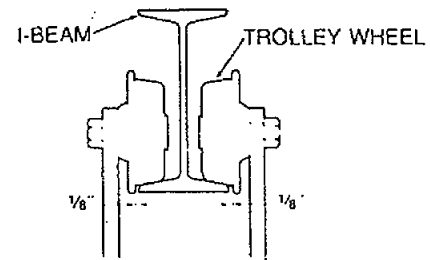


Figure 1-1

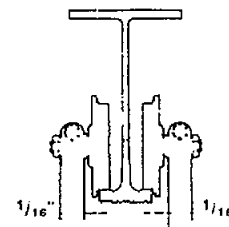


Figure 1-2

non-adjustable. Type "M" trolleys with flat tread wheels (straight track only) are adjustable and should be checked for proper clearance.

See Section 6 on Trolley Spare Parts Identification Sheet for wheel adjustment instructions.

After trolley hoists have been hung on the beam, check for balance. All Robbins & Myers' hoists are balanced at the factory for the "as shipped" condition. Any auxiliary devices (control boxes, cable reels, etc.) furnished and mounted by customer may require the addition of counter-weight. Hoists must hang straight without a load or there will be a noticeable kick when a load is applied to the hook.

Reeving

Bottom block must hang straight, and cables must be free of kinks or twists. Make sure limit switch weight is not hung up, and hangs freely suspended from its supporting cable/chain. Bottom block may rotate during

initial lifts due to new cables not having taken a permanent "set", causing the cable falls to twist, or wrap around each other. See Section 4 Operation Maintenance, Wire Rope for corrective action.

See Section 6 on Bottom Block Spare Parts Identification Sheet for proper reeving.

Lubrication

All Robbins & Myers' hoists are shipped completely lubricated, including gear cases filled with oil; however, to avoid potential damage from low oil levels resulting from leakage during handling/shipping, all levels must be checked, and oil added where necessary.

If hoist gearcase has been shipped with solid oil filler plug, replace with attached breather plug to prevent oil leakage due to pressure build up.

Make sure cables and any open gearing are adequately greased and free from any contamination or dirt.

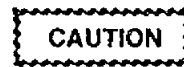
Refer to Section 5 Lubrication Schedule for type of lubrication.

Power Connections

Make sure that power supply voltage is the same as that shown on the hoist nameplate. The power source/

conductors must be sized sufficiently to maintain the voltage at the hoist at $\pm 10\%$ of the nominal voltage under all operating conditions. Standard nominal voltages are 230/460/575. Improper voltage maintenance can cause motor overheating or sluggishness, and chattering or inoperative motor brakes and controls.

A wiring diagram is included in this manual showing the identification of the power lead connections.



Make sure power source disconnect is off and locked in open position while making connections.

Make sure all collectors, if furnished, are compatible and properly lined up and make good contact with conductor bars on rail.

Note: All standard Robbins & Myers hoists are furnished with motor and control circuit protection which in their interpretation meet the requirements of the National Electrical Code, 1978. The protective devices required for the power feed are outlined in Article 610 of the NEC, and are the responsibility of the user. It is recommended that this article be reviewed by the user for compliance requirements.

SECTION 2 INITIAL START-UP

Once power has been supplied to the hoist, several important checks *must* be made.

Proper Hook Motion (Hoist Motor Rotation)

Since direction of rotation of any three-phase A.C. motor can be reversed by reversing any two of the three lines feeding the motor, it is important that the motion travel is in correct relationship with the button being depressed.

CAUTION

Do *not* attempt to reverse hoist motion by changing control leads in the push button or at the contactor, or change the nameplate on the P/B. The pilot circuit limit switch is in series with the "up" control circuit wiring as furnished from the factory. Changing these leads will not only void the stop limit, but will also cause the down/reverse circuit of the limit to power the bottom block in the hoisting direction.

To check/correct hook motion (motor rotation), *carefully* inch the up button and observe hook motion. If block does *not* travel up, stop and open the power source disconnect.

IMPORTANT

Do not run bottom block into limit switch with down button if direction is reversed. To correct the direction of the hook block, reverse any two leads supplying power to the hoist. This can be done at the main power source, or at the lead in connections to the hoist.

Proper Trolley Motion

If necessary to change trolley motion to orient direction with P/B markings, change any two power leads at the load side of the contactor only.

CAUTION

Do not reverse main power leads. This will cause a reversal also of hoist motion, with resulting hazards at limit switch as described under "CAUTION — Proper Hook Motion."

The optional ballast resistors may be adjusted to provide optimum starting acceleration for normal load conditions as described in Section 6 on the Trolley Motor Sheet.

The optional trolley brake may be adjusted to provide the optimum stopping deceleration for normal load conditions as described in Section 6 on the Trolley Brake Spare Parts Identification Sheet.

Limit Switch Action

After proper direction has been established, run bottom block down several feet from upper limit and stop. Check upper limit action by slowly lifting weight or paddle manually while operating hoist in the hoisting direction. Block should stop after lifting weight no more than two inches. If block does not stop, immediately release the up button, shut off power to the hoist and check out control circuit wiring, switches, or possible binding of limit switch levers/shafts.

Next, check reverse element of limit switch action. Slowly lift the limit weight manually beyond the stop position with bottom block stationary and lowered several feet below limit. Lifting limit weight beyond stop position should automatically cause bottom block to lower. If block fails to lower, check out circuit as above.

IMPORTANT

On some model hoists, additional lifting of limit weight will cause lowering motion to stop.

CAUTION

Under no conditions should any lifting of limit weight cause the hook block to raise. If this happens, hoist motor is not properly phased. Do not proceed further with installation until proper motor rotation is established. See previous instructions — "Proper Hook Motion." Contact your factory service representative for additional information if necessary.

Note: If hoist is furnished with optional upper and lower screw limits, or lower paddle limit, check for proper

setting. Unless otherwise specified, upper screw limits are set at the factory to trip approximately 3" below contact of bottom block with the upper weight type limit. Lower limits are set to trip with two wraps of cable remaining on drum. For adjustment of trip location, refer to separate sheets in Section 6.

No Load Operational Checks.

Check motor brake adjustment. Block should stop without load on hook with maximum 1" to 3" of hook drift, depending on hoisting speed. See Section 6, Spare Parts Identification Sheet "Brakes" for adjustment instructions.

Run bottom block to within 6" of upper limit switch, then slowly inch button until block makes contact with limit weight and block motion is stopped.

Next, lower block out of limit 1 to 1½ feet and stop. Run bottom block into upper limit at maximum hoist speed. Block motion should be stopped by limit switch action.

Note: At most fast hoisting speeds, generally 30-40 FPM or faster, bottom block may be plugged down by reverse action of limit switch.

Lower bottom block to the lowest required position. There must be at least two wraps of cable remaining on drum.

CAUTION

No hoist should be installed where the potential of winding the cable backwards on the drum can be foreseen. All Robbins & Myers F and C series hoists are available with an optional lower limit which should be specified where the inherent dangers of cable breakage exist if cable is wound on backwards.

Load/Run Test

While all Robbins & Myers hoists are load tested at the factory, full load testing should be performed after installation by the user.

Attach a near-capacity load and lift/lower several feet. The mechanical load brake, when operating correctly, will maintain proper lowering speed when lowering button is depressed. If motor brake or controls chatter under full load, check voltage at motor.

Run trolley full length of monorail and check for binding of trolley wheels on rail and/or interference at splice joints, hanger connections/bolts, etc. Check contact with rail end stops. Contact should be made with trolley side plates or bumpers. Rail stops designed to make contact with wheels are to be avoided.

Note: Trolley wheels may be adjusted to provide 1/16" maximum additional clearance between wheel and beam flanges if binding occurs while negotiating curves in tracks.

SECTION 3 SAFE OPERATING PRACTICES

General

There is no one single factor that is more important for minimizing the possibility of personal injury to the operator and those working in the area, or damage to property, equipment, or material, than being familiar with the equipment and using *Safe Operating Practices*.

Hoists/trolleys are designed for lifting and transporting of material only. Under no circumstances, either during initial installation or in regular use, are hoists to be used for lifting or transporting of personnel.

No operator should be permitted to use the equipment who is not familiar with its operation, is not physically or mentally fit, or has not been schooled in safe operating practices. The misuse of hoists can lead to certain hazards which cannot be protected against by mechanical means; hazards which can only be avoided by the exercise of intelligence, care, and common sense.

Safe Operating Practices also involves a program of periodic inspection and preventative maintenance (covered in separate section). Part of the operator's training should be an awareness of potential malfunctions/hazards requiring adjustments or repairs, and bringing these to the attention of supervision for corrective action.

Supervision and management also have an important roll to play in any safety program by assuring that a maintenance schedule is adhered to, and that the equipment provided for the operators is suitable for the job intended without violation of one or more of the rules covering safe operating practices and good common sense.

The Safe Operating Practices shown are taken in part from the following publications:

American National Standards Institute (ANSI)
Safety Standards for Cranes, Derricks, Hoists
ANSI B30.2 — Overhead and Gantry Cranes
ANSI B30.16 — Overhead Hoist

Do's and Don'ts (Safe Operation of Hoists)

The following are Do's and Don'ts for safe operation of overhead hoists. Taking precedence over any specific rule listed here, however, is the most important rule of all, **USE COMMON SENSE**. A few minutes spent reading these rules can make an operator aware of dangerous practices to avoid and precautions to take for his own safety and the safety of others. Frequent examinations and periodic inspections of the equipment as well as a conscientious observance of safety rules may save lives as well as time and money.

DON'TS — HOISTS

1. Never lift or transport a load until all personnel are clear.
2. **DO NOT** allow any unqualified personnel to operate hoist.
3. **NEVER** pick up a load beyond the capacity appearing on the hoist. Overloading can be caused by jerking as well as by static overload.
4. **NEVER** carry personnel on the hook or the load
5. **DO NOT** operate hoist if you are not physically fit.
6. **DO NOT** operate hoist to extreme limits of chain or rope.
7. **AVOID** sharp contact between two hoists, between hoist and end post, and hooks and hoist body
8. **DO NOT** tamper with any parts of the hoist.
9. **NEVER** use the hoist rope or chain as a sling.
10. **DO NOT** divert attention from load while operating hoist.
11. **NEVER** leave a suspended load unattended

12. DO NOT use chain or rope as ground for welding. NEVER touch a live welding electrode to the chain or rope.
13. DO NOT jog controls unnecessarily. Hoist motors are generally high torque, high slip types. Each start causes an inrush of current greater than the running current and leads to over-heating and heat failure, or burn-out, if continued to excess.

DO'S — HOISTS

1. READ and follow manufacturer's instruction, installation, and maintenance manuals. When repairing or maintaining a hoist, use only manufacturer's recommended parts and materials.
2. READ and follow all instruction and warning information on or attached to a hoist.
3. REMOVE the hoist from service and thoroughly inspect and repair as necessary if unusual performance or visual defects (such as peculiar noise, jerky operations, or travel in improper direction or obviously damaged parts) are noticed.
4. ESTABLISH a regular schedule of inspection and maintain records for all hoists with special attention given to hooks, ropes, chains, brakes, and limit switches.
5. CHECK operation of brakes for excessive drift.
6. CHECK operation of limit switches.
7. CHECK for damaged hooks, ropes, or chain.
8. KEEP load chain or rope clean and well lubricated.
9. CHECK the wire rope or chain for improper seating, twisting, kinking, wear, or other defects before operating the hoists.
10. CHECK for broken wires in wire rope. Twelve randomly distributed broken wires in one rope lay or four broken wires in one strand in one rope lay are sufficient cause for replacement.
11. MAKE SURE a load clears neighboring stock piles, machinery, or other obstructions when raising, lowering, or traveling the load.
12. CENTER hoist over the load before operating.
13. AVOID swinging of load or load hook when traveling the hoist.
14. BE SURE the load attachment is properly seated in the saddle of the hook. Balance load properly before handling. Avoid tip loading.
15. PULL in a straight line, so that neither hoist body nor load chain or rope are angled around an object.
16. MAKE SURE you take up slack slowly.
17. KNOW the hand signals for hoisting, cross travel, and crane travel if working with cab operated hoists or cranes. Operators should accept the signals of only those persons authorized to give them.

**SECTION 4
OPERATION/MAINTENANCE**

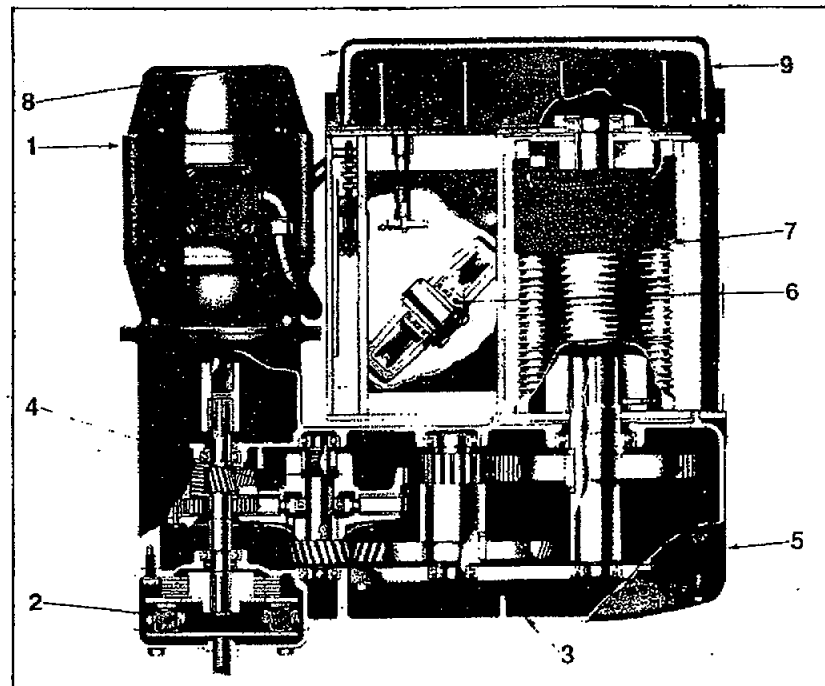


Figure 4-1

Typical Construction

Figure 4-1 represents a typical hoist cross section. While each model may have some slight variation in design/arrangement, all models have the same basic elements.

1. *Motor/Coupling* — basic drive package.
2. *Hoist Motor Brake* — brings motor to quick stop, and part of the braking system that enables a load to be suspended from the hook with power off.
3. *Gearcase Assembly* — three reduction gear reducer coupling the motor to the drum. Also houses the mechanical load brake.
4. *Mechanical Load Brake* — Weston-type friction brake which controls the lowering speed, and, in conjunction with motor brake, provides a double braking system for holding suspended loads.

Note: If optional electric braking systems are provided, mechanical brake may not be included.

5. *Frame/Drum* — basic structural components which support the load to be handled.
6. *Bottom Block and Sheaves* — includes bottom block and equalizer sheaves.
7. *Wire Rope* — hoisting rope and end connections for picking up the load.
8. *Controls/Enclosures* — electromechanical devices for supplying power to, and reversing direction of, the motor(s).
9. *Limit Switch* — emergency shut-off switch to stop hook motion at maximum elevation of bottom block.

CAUTION

Do not perform any service operation when load is suspended from hook.

The following details the operation/maintenance instructions for each basic element.

Motors/Couplings

Robbins & Myers hoist motors are designed to provide the utmost in dependable hoisting service. Standard motors are enclosed for protection against normal hazards of dust and moisture. All bearings are sealed and lifetime lubricated and do not require greasing.

Standard motors are furnished with thermal protection in the form of normally closed, automatic reset control circuit thermostats. These are pilot circuit devices which open the control circuit if the motor overheats. The hoist motor protector opens only the "up" circuit.

Couplings may be either sleeve type (head mounted motors) or flexible (foot mounted motor). Couplings are press fit and keyed to motor shaft, with slip fit onto spline of gearcase shaft. Splined half of couplings are coated with grease at the factory and must be regreased if coupling or gearcase extension shaft are disassembled.

Note: Foot-mounted motors are shimmed between motor feet and motor shelf to provide the necessary accuracy of alignment between motor and gearcase shafts. If motor is removed and reassembled to hoist, the shimming must be retained. If new motor is installed, reshimming may be necessary. Maximum allowable misalignment of shafts using flexible coupling is 1° on angular alignment and 0.020" on parallel. See Figure 4-2.

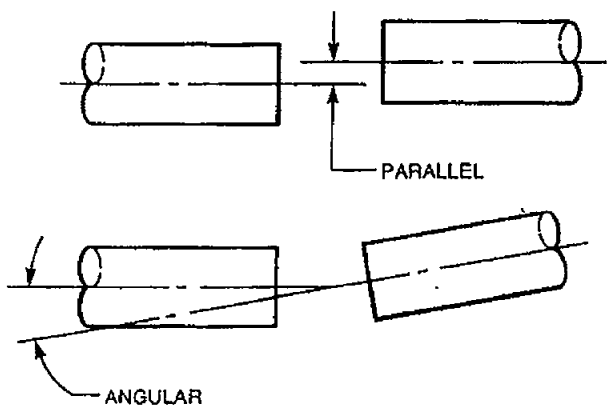


Figure 4-2

Hoist Motor Brake

Standard Robbins & Myers hoists are furnished with electro-magnetic disc type brakes with minimum torque rating equal to 100% full load torque of the motor. The purpose of the motor brake is twofold:

- 1) To minimize hook drift by bringing the motor to a quick and smooth stop.
- 2) To help hold loads suspended from the hook with power off.

When the hoist motor is energized, the magnet brake coils are also energized, pulling the armature plate against the brake pole plate, thereby releasing the pressure on the friction discs, this permits the discs to turn freely with motor rotation. When the motor is de-energized, the brake coils are simultaneously de-energized, releasing the armature plate which applies pressure to the friction discs and motor is brought to a stop. The kinetic energy of the motor is dissipated as heat on the friction surfaces.

Proper maintenance and adjustment of the motor brake is essential to the reliable operation of the hoist. Heat is generated and wear occurs each time the motor is stopped and the work done by the brake is not reduced with light load or empty hook operation. The brake life and serviceability will be greatly extended by adequate maintenance. The practice of excessive and unnecessary inching of pushbutton by an operator causes unnecessary brake heating and wear. The frequency of brake wear adjustment depends on the duty cycle. To adjust brake, follow instruction on nameplate secured to brake cover.

The brake adjustment is for taking up disc wear and not for torque adjustment. Brake discs must be replaced when wear reaches 1/8" total per disc (1/16" per side).

Gearcase Assembly

Drive train consists of three reductions of precision cut gears/pinions, keyed or splined to steel shafts, supported on ball bearings. First two reductions are helical gears, last reduction spur gears. All gears and bearings operate in an oil bath and do not require additional lubrication.

Gearcases normally require a minimum of maintenance. On some models, the motor brake is built into the gearcase cover. On these models, the brake parts must be removed and the brake coils disconnected prior to removing the cover. Care should be used to prevent damaging the oil seal around the brake shaft when the cover is removed and replaced.

It is recommended that both the oil seal and gearcase cover gasket be replaced whenever inspection or servicing of the gearcase requires cover removal.

CAUTION

Fill gearcase to oil level with lubrication as recommended in lubrication schedule prior to putting hoist back in service.

Mechanical Load Brake

Robbins & Myers' hoists, except those equipped with an optional electric braking system, are furnished with a Weston-type mechanical load brake inside the hoist gearcase, which serves three purposes:

- 1) To suspend the load without power to the hoist and independent of the motor brake.
- 2) Controls the lowering speed by dissipating the energy from the overhauling load off the drum as heat in the sliding friction surfaces.
- 3) Reduces motor heating and motor brake wear by absorbing the potential and kinetic energy of a lowering load rather than dissipating this energy in these elements.

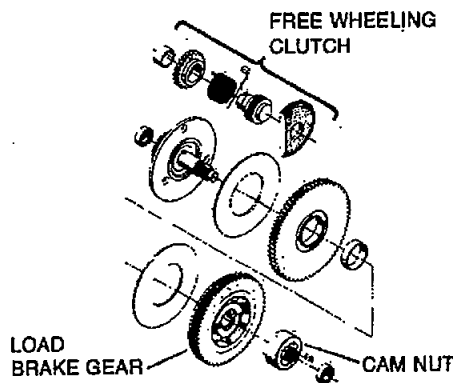


Figure 4-3

Operation of Load Brake

In the hoisting direction, the load brake gear, which is free to turn on the load brake shaft, rotates with respect to the cam nut. See Figure 4-3. The thrust generated from the matching include surfaces on the cam nut and load brake gear compresses and locks the load brake. The freewheeling clutch assembly is free to rotate in the hoisting direction, and the load brake rotates as a unit and simply becomes part of the gear train.

In the down direction, the free-wheeling clutch is locked, preventing rotation of the ratchet gear. Motor rotation causes load brake gear to back off the include surface of the cam nut. Pressure on friction discs is relieved allowing the overhauling load off drum to rotate the load brake against the friction surfaces, dissipating energy in the form of heat.

Load brake adjustment instructions are shown in Section 6 on the Gearcase Parts Identification Sheet.

Frame and Drum

The frame and drum are both constructed of steel, and unless damaged from abuse (impact with another hoist or building structure) require no maintenance. A frame or drum that is no longer serviceable for any reason should be referred to the factory for replacement/repair.

Wire Rope

CAUTION

A hoist should never be used if the wire rope shows any evidence of mechanical damage or excessive wear.

Replacement must be made using cable of exact size and quality with which your hoist, was originally equipped from the factory.

Improper wire rope storage or installation procedure can render the cable unusable prior to the first lift.

Wire rope inspection should be conducted by a designated person using good judgment in evaluating the remaining service life. Any deterioration of the cable resulting in appreciable loss of the original strength such as situations described below should be noted and evaluated.

- 1) Improper lubrication of cable.
- 2) Worn outside wires.
- 3) Broken or corroded wires at the end connections.
- 4) Crushing, slicing, unstranding, or kinking.
- 5) Internal wear caused by grit penetrating the strands.
- 6) Broken outside wires and the concentration of such wires.
- 7) Reduction of original rope diameter.
- 8) Damaged, worn, or improperly applied end connections.

Note: Also evaluate these sections which are normally hidden during inspections, such as sections which pass over equalizer sheaves.

CAUTION

Wear gloves whenever handling wire rope.

The wear life of the wire rope depends mainly upon the frequency and severity of service and its maintenance. All wire rope will eventually deteriorate to a point where it is no longer serviceable.

The precise rules can be given for determination of the exact time for replacement of wire rope because of the many factors involved. The following conditions should be sufficient reason for consideration of replacement.

- 1) Twelve randomly distributed broken wires in any one rope lay, or four broken wires in any one strand in one rope lay.
- 2) Wear of one-third of the original diameter of individual outside wires.
- 3) Kinking, crushing, birdcaging, or any damage resulting in distortion of the rope structure.
- 4) Evidence of any heat damage from any cause.
- 5) Reductions from nominal diameter of more than:
 - a) $1/16$ " for diameters up to and including $5/16$ ".
 - b) $1/32$ " for diameters $3/8$ " to $1/2$ " inclusive.
 - c) $3/64$ " for diameters $9/16$ " to $3/4$ " inclusive.

The correct diameter of a wire rope is the diameter of a circumscribed circle which will enclose all the strands. It is the largest cross-sectional measurement as illustrated in Figure 4-4. The measurement should be made carefully with calipers. The illustrations show the correct and incorrect methods of measuring the diameter of wire rope.

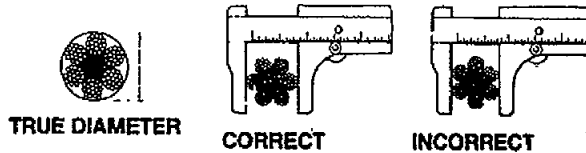
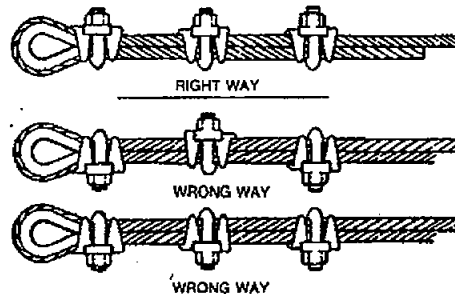
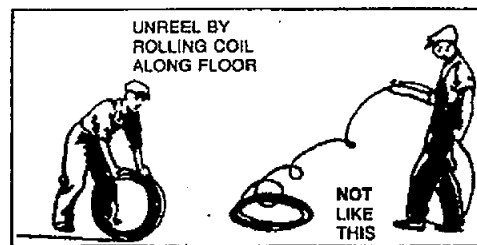


Figure 4-4

Generalized instructions for inspection/servicing of wire rope follow. Specific reeving instructions are shown in Section 6 on the Bottom Block Spare Parts Identification Sheet.

- 1) Hoisting ropes are of special construction, designed specifically for hoist applications. It is recommended that replacement cables with sockets swaged on the end when required be obtained from an authorized Robbins & Myers service station or the factory. Use of non-authorized cable may seriously shorten the life of the cable.
- 2) When unreeling a new replacement cable, follow procedure sketched below to avoid developing kinks or twists.
- 3) Maintain rope in a well-lubricated condition. See lubrication chart.
- 4) Rope clips, when used, must be assembled with the rope saddle on the load side of the cable. See sketch below.



- 5) Make sure replacement cables are properly reeved through sheaves and bottom block. See reeving diagram.
- 6) Any new or replacement cable when first installed may cause the bottom block to turn or twist when a load is applied, resulting in the hoist cables twisting around each other. To correct, run bottom block to the floor and disconnect the cable at the end anchor on the hoist frame. Turn the end of the cable several revolutions in the direction opposite of block twist and reconnect. Run empty bottom block up and down a few times to stabilize cable twist. It may be necessary to repeat more than once during the first few days of hoist operation with new cables.

Bottom Block/Sheaves

Sheaves showing evidence of scored grooves or broken/cracked flanges or sharp edges generated from wear, should be replaced. Worn sheaves can greatly reduce the life of the hoisting rope. Check hooks for deformation or cracks. Hooks having a throat opening more than 15% of normal, or more than a 10 degree twist from the plane of the unbent hook, must be replaced. See Figure 4-5.

Due to the many types and sizes of hooks which can be furnished and specified by the user, it is recommended that the user measure the actual throat opening of the hook as furnished and record on the sketch below and retain for a permanent record. This record can then be used for determining when hook must be replaced due to deformation/excessive throat opening.

Note: Any hook that is twisted or has throat opening in excess of normal indicates abuse or overloading of the unit. Other load bearing components should be checked for damage.

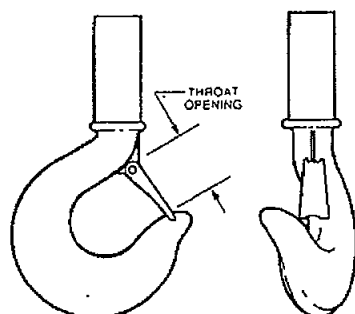


Figure 4-5

Safety latches, when furnished, should be replaced if bent or broken to the extent that they no longer provide proper closure of throat opening of hook.

CAUTION

Repairs by welding or reshaping of hooks are to be avoided.

Controls/Enclosure

WARNING

Before removing or checking any electrical component, be sure the power supply is shut off, and disconnect locked in the open position.

Standard basic control components consist of the following:

- 1) Motor Contactor — three pole reversing contactor which closes the power leads to the motor when actuated by the push button.
- 2) Push Button Station
- 3) Control Circuit Transformer — reduces the incoming power supply voltage to 115 volts for control circuit operation
- 4) Limit Switch (see separate section)
- 5) Motor Thermal Protection — pilot circuit contact which opens the hoisting circuit if motor overheats.

Note: The number, size, and quantity of control devices vary considerably, depending on the number and types of motors and the many control options that are available. Refer to wiring diagram for specific details on power/control devices.

No specific rules can be given as to the frequency of replacement of electrical devices. Deterioration of electrical components is directly related to the heat generated (on time) in contactor coils and transformers, and the arcing of contactors when motor circuit is opened (starts/stops). Electrical malfunctions can be minimized by a monthly to quarterly inspection for loose connections/broken or frayed wiring, and replacement of contacts on starters/relays when severely pitted.

Limit Switch

Standard upper weight type limit switch consists of a weight or paddle suspended from a chain or cable, which, when lifted by upward motion of the bottom block, opens the hoist control circuit and stops further block travel. A second position, should bottom block coast upwards due to improperly adjusted motor brake, closes the lowering circuit and results in bottom block being driven downward by the motor. Downward motion stops after 2"-3" of block travel.

CAUTION

Standard upper weight limit is an emergency device only and is not to be used as an automatic stop. Hoist motor must also be properly phased for limit to function

as intended. See warnings/instructions under "Installation — Initial Start Up."

Since good hoisting practice dictates the use of the upper limit as an emergency device only, and in many installations is seldom used, limit switch parts do not normally need replacement due to wear. Maintenance consists of making sure that the limit remains functional and does not become inoperative due to dirt, dust, corrosion, or physical damage.

IMPORTANT

When checking manually, make sure bottom block is lowered several feet below upper limit.

SECTION 5 PREVENTATIVE MAINTENANCE

Inspection/Preventative Maintenance Schedule

The intervals between inspections will vary due to the wide range of applications, duty cycles, and environmental conditions encountered by hoisting equipment. The following schedule lists minimum requirements, based on intermittent operation of the hoist on an 8-hour/day, 5-day/week work schedule, under normal environmental conditions (free from excessive dust,

moisture, and corrosive fumes). If duty is heavier, or the environment severe, inspections should be more frequent.

The operator should also bring to the attention of maintenance personnel any unusual operation conditions that occur between inspection periods, and not operate hoist until unit has been repaired and is functioning properly.

INSPECTION/PREVENTATIVE MAINTENANCE SCHEDULE

Time Interval	Inspection Function
Start of each shift	<p><i>Upper limit switch</i> — check by operating empty hook into limit.</p> <p><i>Hoist/trolley brakes</i> — excessive coast without load.</p> <p><i>Reeving</i> — twisted or kinked cables.</p> <p><i>Controls</i> — proper operation from pushbutton.</p>
Weekly	<p><i>Reeving</i> — check for kinks, unstranding, broken wires, corrosion, etc.</p> <p><i>Bottom Block</i> — check for bent or twisted hook and/or safety latches.</p> <p>For complete instructions on cable/bottom block, refer to Operation/Maintenance section under Reeving System.</p>
Monthly to Quarterly	<p><i>Motor Brakes</i> — remove, inspect, clean magnetic disc plate and linings. Replace as required. Adjust brake to proper setting. See Operation/Maintenance section — Hoist Motor Brakes.</p> <p><i>Lubrication</i> — refer to Lubrication Sheet. Regrease lubrication points and check oil level in gearcases.</p> <p><i>Controls</i> — inspect contacts of motor starters. <i>Note:</i> discoloration and slight pitting are normal. Replace only if silver is worn thin or is severely pitted. Check for loose or broken connections.</p> <p><i>Limit Switch</i> — remove any accumulated dirt/dust on exposed shafts/levers. Lift the limit weight manually through the down/reverse position to make sure that shaft/bearings rotate freely. (IMPORTANT: When checking manually, make sure bottom block is lowered several feet below upper limit.)</p>

Time Interval	Inspection Function
Semi Annually to Annual	<p>Drain and replace oil in hoist gearcase. Check for loose bolts and/or connections on both hoist/trolley and suspension system.</p> <p>Check all load carrying parts, such as sheaves, drums, bottom blocks, wheel pins, frames, suspension bolts for wear, cracks, distortion or signs of overload. Replace/tighten secure as required.</p> <p>Lubricate all flexible couplings. Check mechanical load brake for holding action. See Operation/Maintenance Section under Load Brake.</p> <p>If noise level of hoist gearcase has increased, remove cover and inspect for damaged/worn gears, bearings, and shafts.</p>

IMPORTANT

After any major tear down, repair, or alteration, unit should be functionally load tested as described in section "Installation — Initial Start Up." Also, any hoist which has been out of service one month or more should have a complete maintenance/inspection, followed by a functional load test.

TROUBLESHOOTING

While the chart below can be used for diagnosing typical equipmental functions, the basic underlying cause in many cases is insufficient voltage maintenance at motor and control terminals. Not only must the equipment be connected to the proper nominal voltage source, the power supply leads must be of sufficient size to maintain rated voltage during starting and full load operation. Excessive voltage drop during starting or under load can cause:

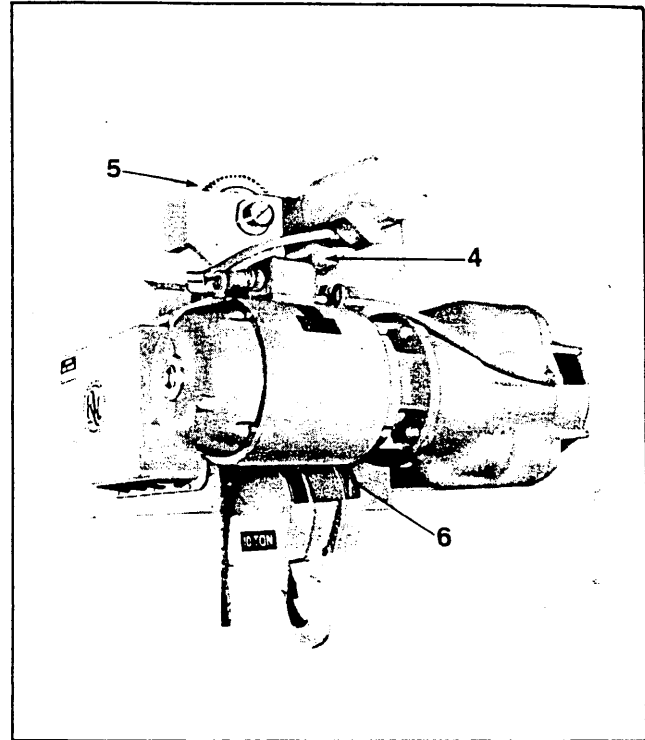
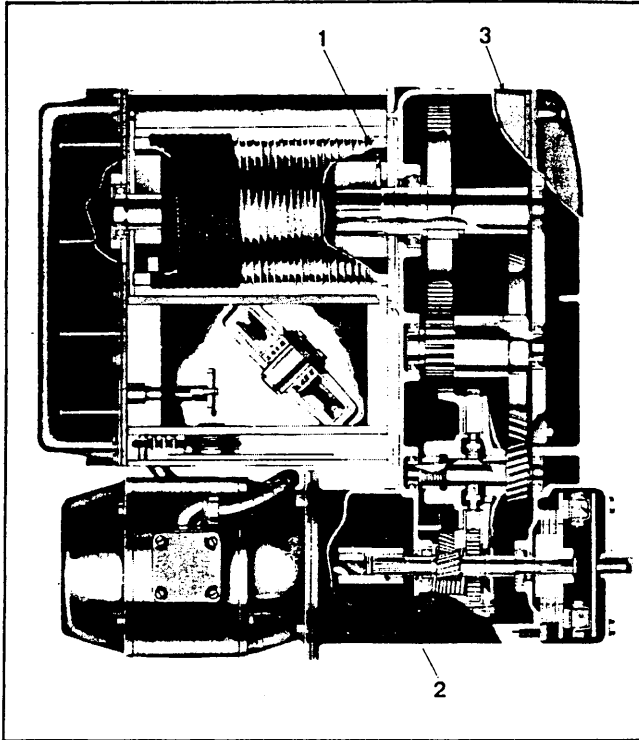
- 1) Sluggish starting and overheating of motors.
- 2) Chattering and overheating of contactor and brake coils.
- 3) Overheating and possible burn out of transformers.
- 4) Non-release of motor brakes.
- 5) Excessive arcing of electrical contacts.
- 6) Erratic performance of optional electronic O.L. devices.

PROBLEM	DIAGNOSIS	POTENTIAL SOLUTION
Hook moves in wrong direction	Phase reversal of three-phase power supply.	Interchange any two of the three power lead connections either at the power source or at the lead in connections to the hoist. (See Caution — Initial Start Up.)
	Hoist cable wound on wrong side of drum.	Rewind and check hoist cable for damage. Check operation of lower limit switch.
CAUTION		
Hoist operation must immediately cease and corrective action taken before hoist is put back in service.		
Hook doesn't stop at extreme of up travel.	Limit Switch(es) are not opening circuit.	Check operation and setting of limit switch(es).
		CAUTION
Hoist operation must immediately cease and corrective action taken before hoist is put back in service.		

PROBLEM	DIAGNOSIS	POTENTIAL SOLUTION
Hook doesn't raise or lower	No power	Check switches, breakers, fuses, and power line connections for open circuit, grounded or faulty connections.
	Contactor not operating.	Check connections in control circuit. Check contactor coils and pushbutton control cable for open or short circuit. Reset overload relay if used. Defective transformer.
	Limit switch open circuit.	Check limit switch contacts.
	Magnetic brake not releasing.	Check adjustment. Check for loose connections. Check auxiliary contacts and brake coil.
	Excessive load.	Check weight of load and rated capacity.
Hook up motion stops after heavy use.	Thermal detectors sense overheated motor.	Avoid concentrating many lifts in short time period.
Motor overheats.	Excessive load.	Check weight of load. Do not exceed hoist capacity.
	Excessive duty cycle.	Avoid concentrating many lifts in short time period.
	Incorrect voltage or frequency.	Check for correct power supply. Voltage should be within $\pm 10\%$ of nameplate rating.
	Three-phase power supply phase failure or unbalanced current.	Check motor windings for open or short circuits. Check supply lines for balanced voltages.
	Brake does not release completely.	Check brake adjustment. Check brake control circuit and brake coil.
Hoist lifts lighter loads but not heavy loads.	Hoist overloaded.	Reduce load.
	Optional overload device set too low.	Adjust overload device.
<div style="border: 1px dashed black; padding: 2px; display: inline-block;">CAUTION</div> Do not set overload device above rated load.		
Bottom block fails to stop quickly.	Magnetic brake slips.	Check brake adjustment. Check brake linings, clean, or replace as necessary. Check load brake operation, refer to Section 4 Operation/Maintenance.
Load lowers when hoist not being operated.	Both the magnetic brake and the load brake are inoperative.	Refer to Section 4 Operation/Maintenance.

PROBLEM	DIAGNOSIS	POTENTIAL SOLUTION
Hoist operates intermittently.	Collectors making poor contact.	Check collectors for free movement of spring loaded arm, weak spring, connections, and free movement of shoe or roller.
	Defective pushbutton.	Check pushbutton inserts.
Excessive cable wear.	Lack of lubrication.	Lubricate cable.
	Hoist being used for side pulling.	Hoist cable should be vertical before starting lift so that cable wraps smoothly on drum.
Magnetic brake does not release.	Low voltage.	Check voltage.
	Magnetic coil is open or shorted. Open brake circuit.	Check connection. Check magnetic coil for open or short circuit.
Oil leaks	Vent plug clogged.	Check to be sure vent plug is open.
	Oil seals worn or damaged. Gasket leaking between gearcase and cover.	Replace oil seals. Tighten any loose bolts. Replace gasket if necessary.

LUBRICATION SCHEDULE



LOCATION	INTERVAL	TYPE LUBRICANT
1. Drum drive spline	Monthly to quarterly	Mobilux EP No. 1 or equal.
2. Motor drive spline	During any overhaul or disassembly of motor	Mobilux EP No. 1 or equal.
3. Hoist gearcase (capacity 32 quarts)	Check level monthly to quarterly. Drain and refill semi-annually to annually.	Multi-purpose lubricating oil 20 wt. or 30, non-detergent. Sohio factovis No. 52 (20 wt.), or No. 65 (30 wt.); Shell Turbo No. 33 (20 wt.), or No. 41 (30 wt.); Gulf Harmony No. 53 (20 wt.), or No. 61 (30 wt.); Mobil DTE Hvy. Medium, 20 wt.
* 4. Trolley gearcase		
** 5. Open wheel gearing	Monthly to quarterly	Dubois outside gear lube of equal.
6. Hoisting cable	Monthly to quarterly	600 W. grease.

Drum stud, rope sheave, and monorail trolley wheel bearings are lifetime lubricated and sealed and normally need no further attention. If disassembled,

however, a light coat of grease on shafts and housings is recommended to prevent bearings freezing in place.

* Type M only -- for type T refer to separate enclosed bulletin for data.

** Type M only -- no open gearing on type T.

R&M MATERIALS HANDLING, INC.

SPACEMASTER
HOIST & CRANE PRODUCTS

Spare Parts Identification

SECTION 6 SPARE PARTS IDENTIFICATION/ADJUSTMENT AND REPLACEMENT INSTRUCTIONS

General

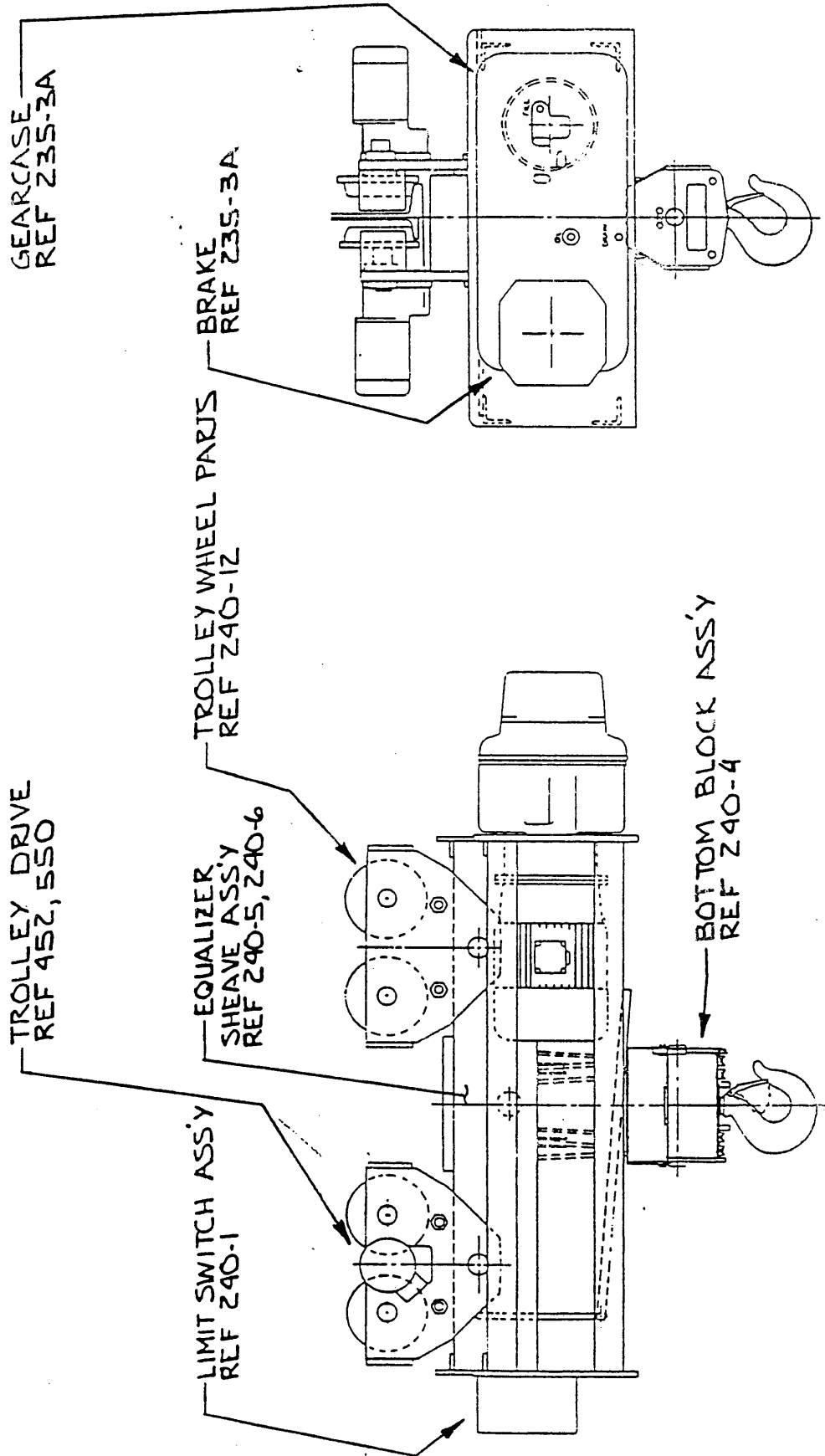
The pages in this section all refer to the specific Robbins & Myers hoist whose serial number matches that on the front page of this book.

Also included are specific operation and adjustment instructions applying to components and assemblies in the hoist.

IMPORTANT

Both the reference number and the hoist serial number must be provided to ensure the proper ordering of parts.

240C

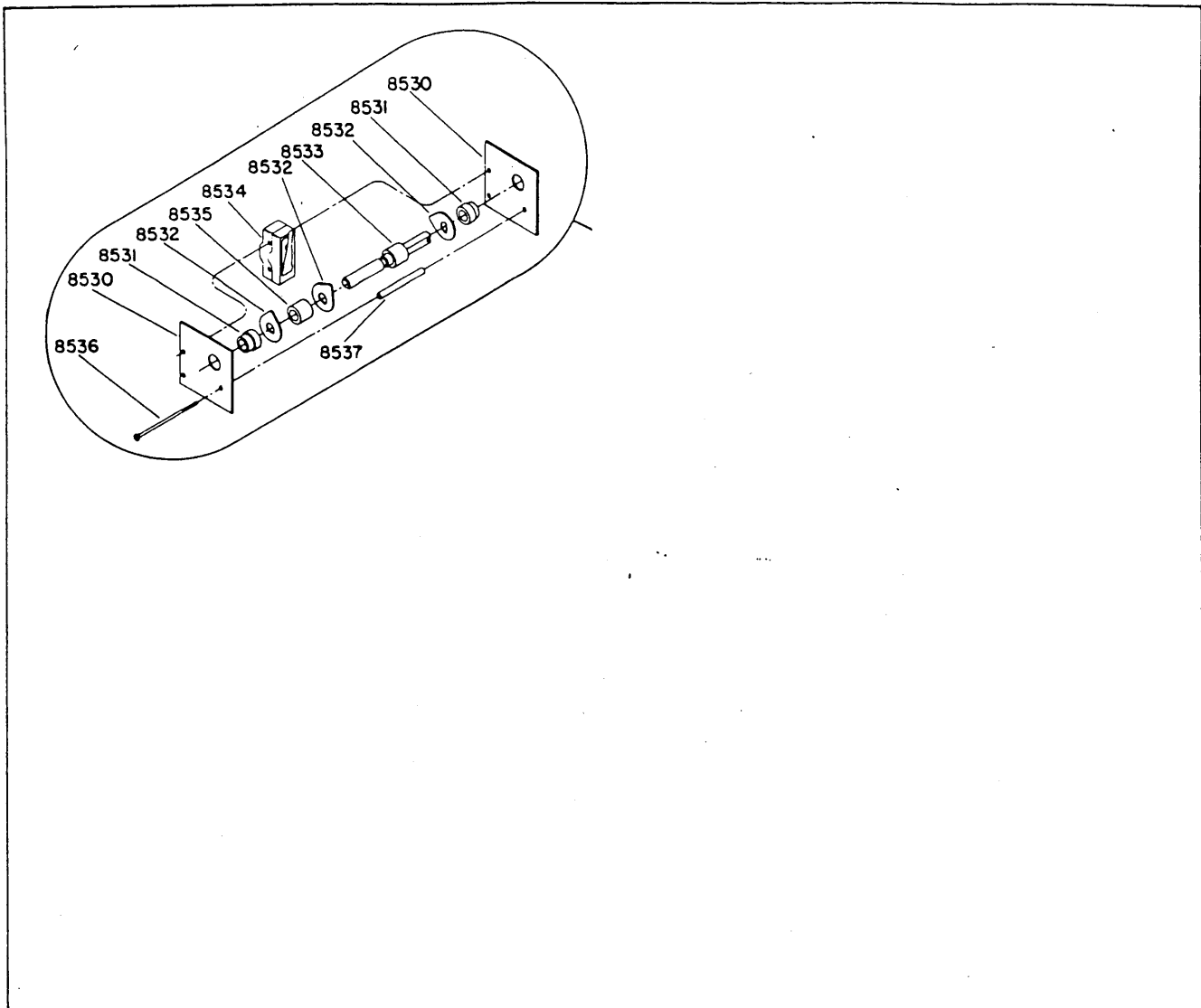


WARNING

For proper operation of limit, hook block must come in contact with and raise the limit weight. Caution must be used to make sure that any sling chains, load bars, or the load itself does not come in contact with underside of bridge girder or any other rigid structure before limit is tripped. Failure to observe can cause damage to equipment and injury to personnel for which R & M cannot be responsible. This warning must be conveyed to the first and subsequent purchasers, users and/or operators.

IMPORTANT Upper limit is an emergency stop only and is not to be used as an automatic shut off during normal operation.

R&M MATERIALS HANDLING, INC.
SPACEMASTER
 HOIST & CRANE PRODUCTS

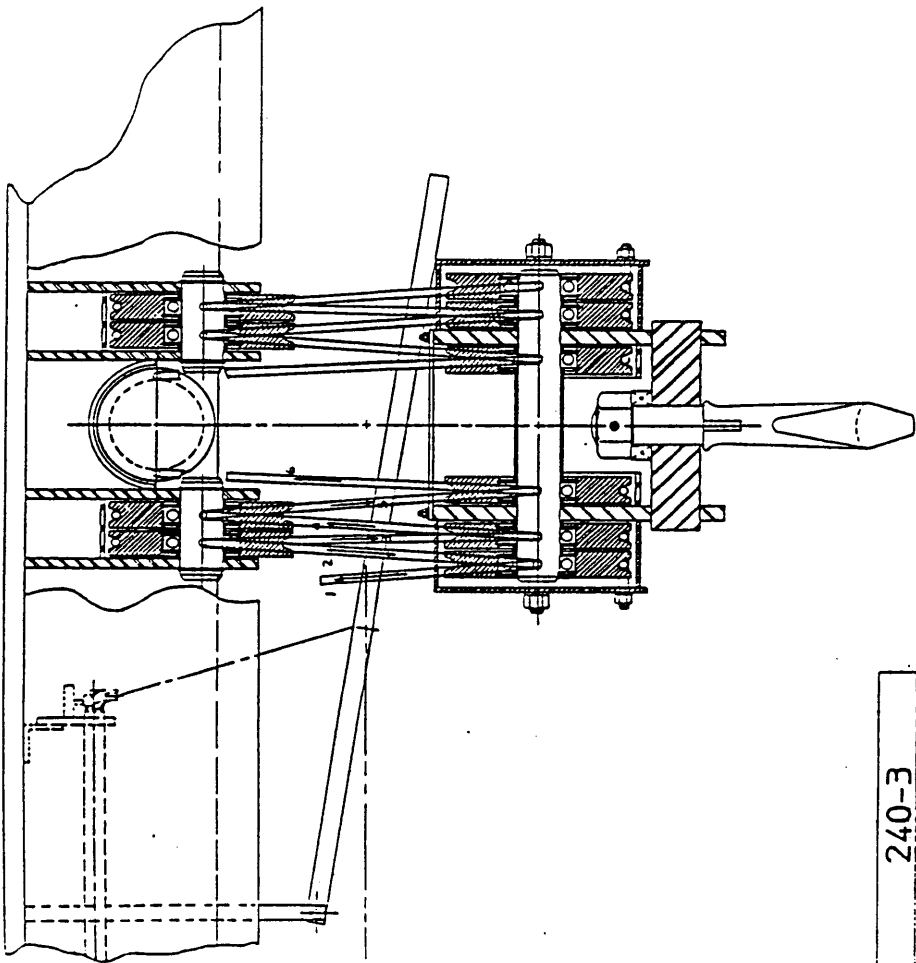
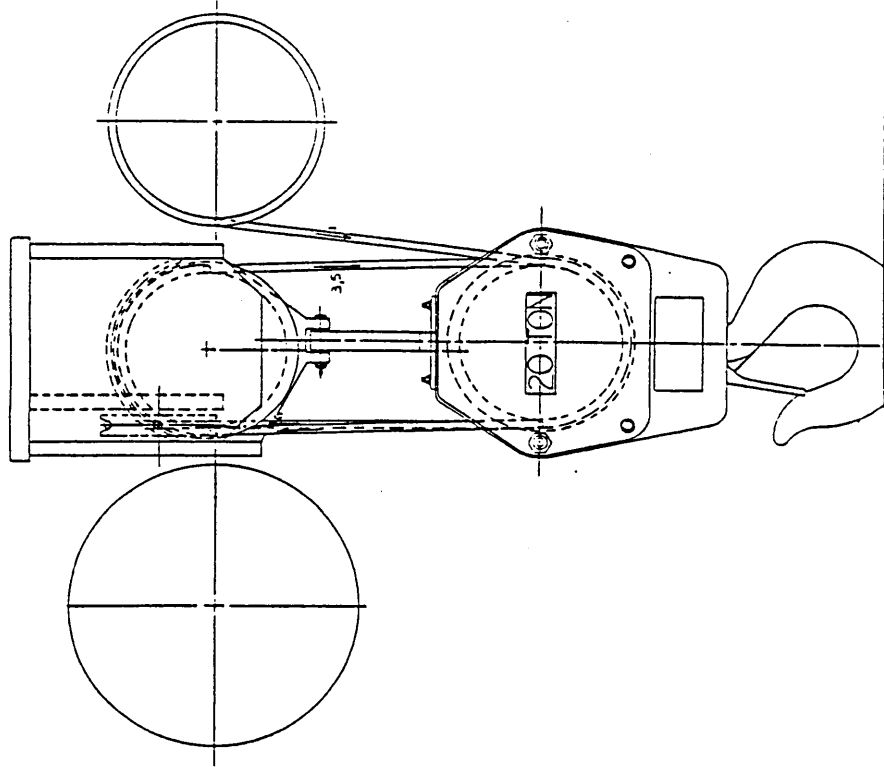


HOIST LIMIT SWITCH PARTS

REFERENCE NUMBER	PART DESCRIPTION
8530	Side Plate
8531	Bushing
8532	Operating Cam
8533	Limit Shaft

REFERENCE NUMBER	PART DESCRIPTION
8534	Micro Switch
8535	Cam Spacer
8536	Screw
8537	Side Plate Spacer

HOIST SERIAL NUMBER *MUST* BE FURNISHED IN ADDITION TO PART REFERENCE NUMBER.

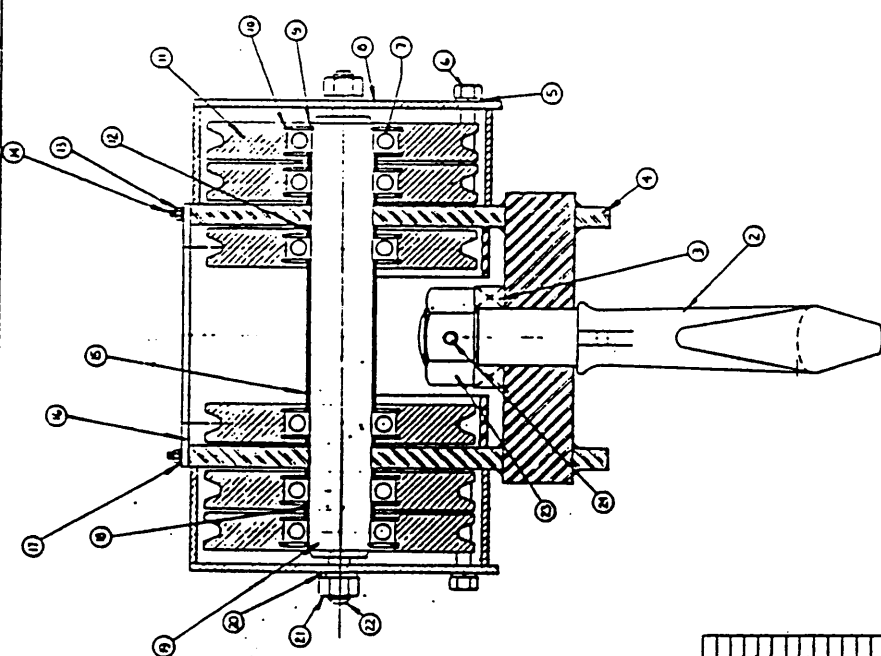
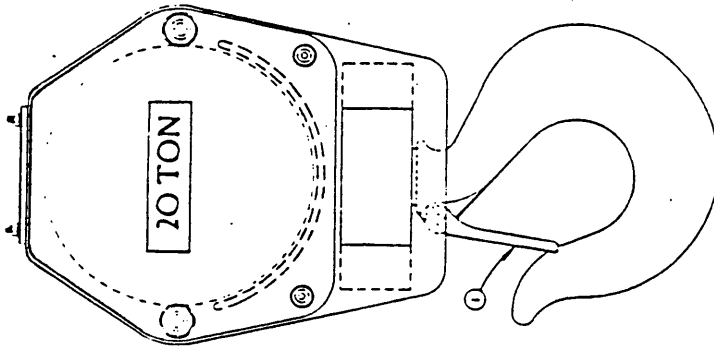


FRAME DR
 PART 1 (incl) REEVEING TACKLE
ROBBINS & MYERS
 Head Office of ROBEI, Independent Trading Co. 2503241001
 CHANGE LEVEL
 DRAWING NUMBER

20 TON REEVING

240-E
 ROBBINS & MYERS
 2503241001
 H: 25000
 1/16"

240-4



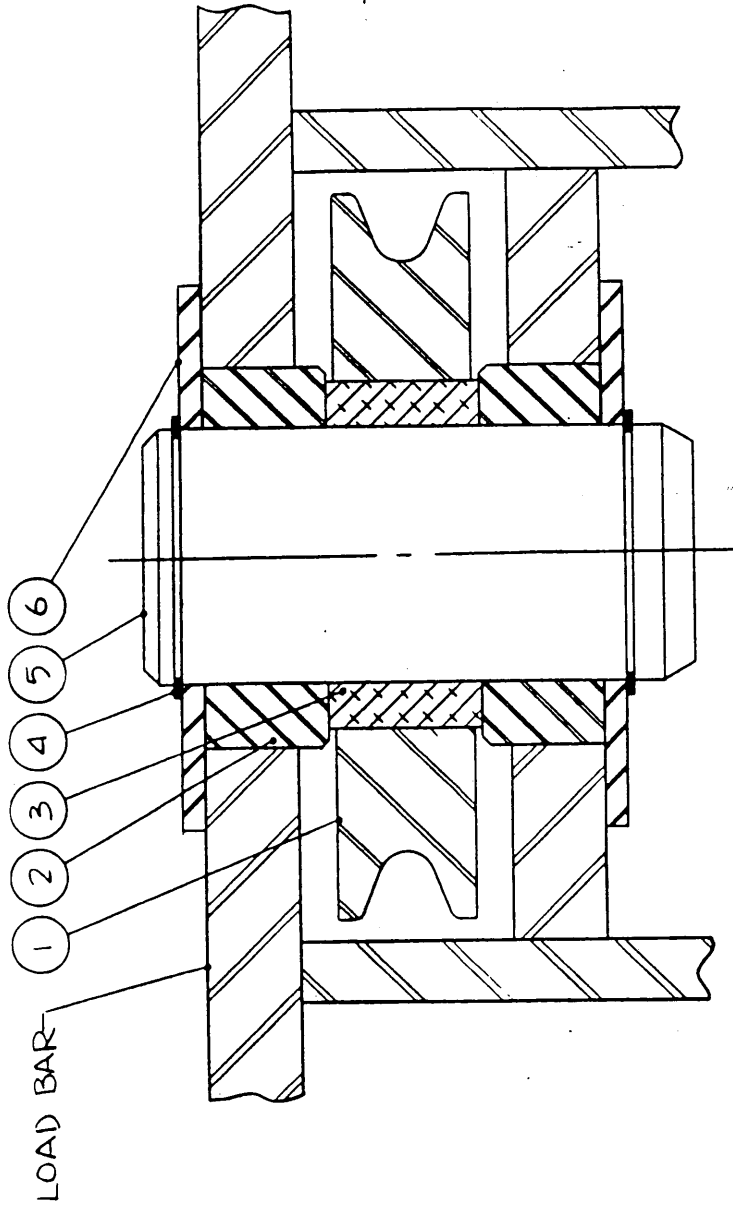
FRAME 7
 PART 601 L.S. ASSY
 CHANGE LEVEL
 DRAWING NUMBER
 2503235001
ROBBINS & MYERS
 Plans Division of IBM International Programming, Inc.

20 TON BOTTOM BLOCK ASSEMBLY

ITEM	PART NUMBER	DESCRIPTION	QTY
1	2015-5014	LATCH PIN	1
2	2015-5015	WY THE NUT	1
3	2015-5016	STOP	2
4	2015-5017	NUT	2
5	2015-5018	WY THE NUT	2
6	2015-5019	WY THE NUT	2
7	2015-5020	WY THE NUT	2
8	2015-5021	WY THE NUT	2
9	2015-5022	WY THE NUT	2
10	2015-5023	WY THE NUT	2
11	2015-5024	WY THE NUT	2
12	2015-5025	WY THE NUT	2
13	2015-5026	WY THE NUT	2
14	2015-5027	WY THE NUT	2
15	2015-5028	WY THE NUT	2
16	2015-5029	WY THE NUT	2
17	2015-5030	WY THE NUT	2
18	2015-5031	WY THE NUT	2
19	2015-5032	WY THE NUT	2
20	2015-5033	WY THE NUT	2
21	2015-5034	WY THE NUT	2
22	2015-5035	WY THE NUT	2
23	2015-5036	WY THE NUT	2
24	2015-5037	WY THE NUT	2
25	2015-5038	WY THE NUT	2
26	2015-5039	WY THE NUT	2
27	2015-5040	WY THE NUT	2
28	2015-5041	WY THE NUT	2
29	2015-5042	WY THE NUT	2
30	2015-5043	WY THE NUT	2
31	2015-5044	WY THE NUT	2
32	2015-5045	WY THE NUT	2
33	2015-5046	WY THE NUT	2
34	2015-5047	WY THE NUT	2
35	2015-5048	WY THE NUT	2
36	2015-5049	WY THE NUT	2
37	2015-5050	WY THE NUT	2
38	2015-5051	WY THE NUT	2
39	2015-5052	WY THE NUT	2
40	2015-5053	WY THE NUT	2
41	2015-5054	WY THE NUT	2
42	2015-5055	WY THE NUT	2
43	2015-5056	WY THE NUT	2
44	2015-5057	WY THE NUT	2
45	2015-5058	WY THE NUT	2
46	2015-5059	WY THE NUT	2
47	2015-5060	WY THE NUT	2
48	2015-5061	WY THE NUT	2
49	2015-5062	WY THE NUT	2
50	2015-5063	WY THE NUT	2
51	2015-5064	WY THE NUT	2
52	2015-5065	WY THE NUT	2
53	2015-5066	WY THE NUT	2
54	2015-5067	WY THE NUT	2
55	2015-5068	WY THE NUT	2
56	2015-5069	WY THE NUT	2
57	2015-5070	WY THE NUT	2
58	2015-5071	WY THE NUT	2
59	2015-5072	WY THE NUT	2
60	2015-5073	WY THE NUT	2
61	2015-5074	WY THE NUT	2
62	2015-5075	WY THE NUT	2
63	2015-5076	WY THE NUT	2
64	2015-5077	WY THE NUT	2
65	2015-5078	WY THE NUT	2
66	2015-5079	WY THE NUT	2
67	2015-5080	WY THE NUT	2
68	2015-5081	WY THE NUT	2
69	2015-5082	WY THE NUT	2
70	2015-5083	WY THE NUT	2
71	2015-5084	WY THE NUT	2
72	2015-5085	WY THE NUT	2
73	2015-5086	WY THE NUT	2
74	2015-5087	WY THE NUT	2
75	2015-5088	WY THE NUT	2
76	2015-5089	WY THE NUT	2
77	2015-5090	WY THE NUT	2
78	2015-5091	WY THE NUT	2
79	2015-5092	WY THE NUT	2
80	2015-5093	WY THE NUT	2
81	2015-5094	WY THE NUT	2
82	2015-5095	WY THE NUT	2
83	2015-5096	WY THE NUT	2
84	2015-5097	WY THE NUT	2
85	2015-5098	WY THE NUT	2
86	2015-5099	WY THE NUT	2
87	2015-5100	WY THE NUT	2
88	2015-5101	WY THE NUT	2
89	2015-5102	WY THE NUT	2
90	2015-5103	WY THE NUT	2
91	2015-5104	WY THE NUT	2
92	2015-5105	WY THE NUT	2
93	2015-5106	WY THE NUT	2
94	2015-5107	WY THE NUT	2
95	2015-5108	WY THE NUT	2
96	2015-5109	WY THE NUT	2
97	2015-5110	WY THE NUT	2
98	2015-5111	WY THE NUT	2
99	2015-5112	WY THE NUT	2
100	2015-5113	WY THE NUT	2

H. 25009
 2503235001

240-5



LOAD BAR

6	2211940001	WASHER	2
5	2211948001	EQ PIN	1
4	2206497042	RET RING	2
3	2211942001	EQ BUSHING	1
2	2211941001	SPACER	2
1	2308696001	EQ SHEAVE	1

FRAME 8

PART

EQ SHV ASSY

CHANGE LEVEL

DRAWING NUMBER

2308697001

ROBBINS & MYERS

Major Division of KONE Materials Handling, Inc.

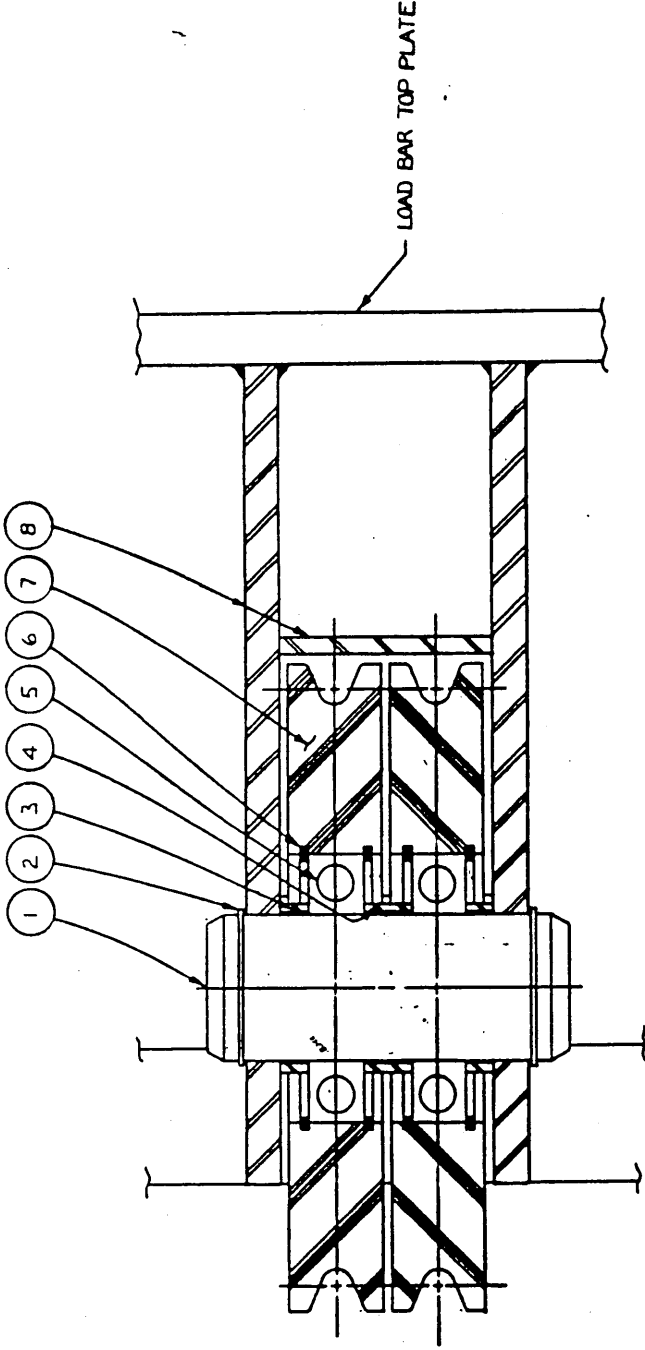
SCALE: FULL SIZE
 DATE: 19-85
 APPROVED: KEV

TOLERANCES:
 1 PLACE DEC. ±
 2 PLACE DEC. ±
 3 PLACE DEC. ±
 ANGLES (RND) ±
 ALL DIMS. UNLESS OTHERWISE SPECIFIED

ITEM DWG. NO. DESCRIPTION QTY.
 H-252008

ROBBINS & MYERS COMPANY

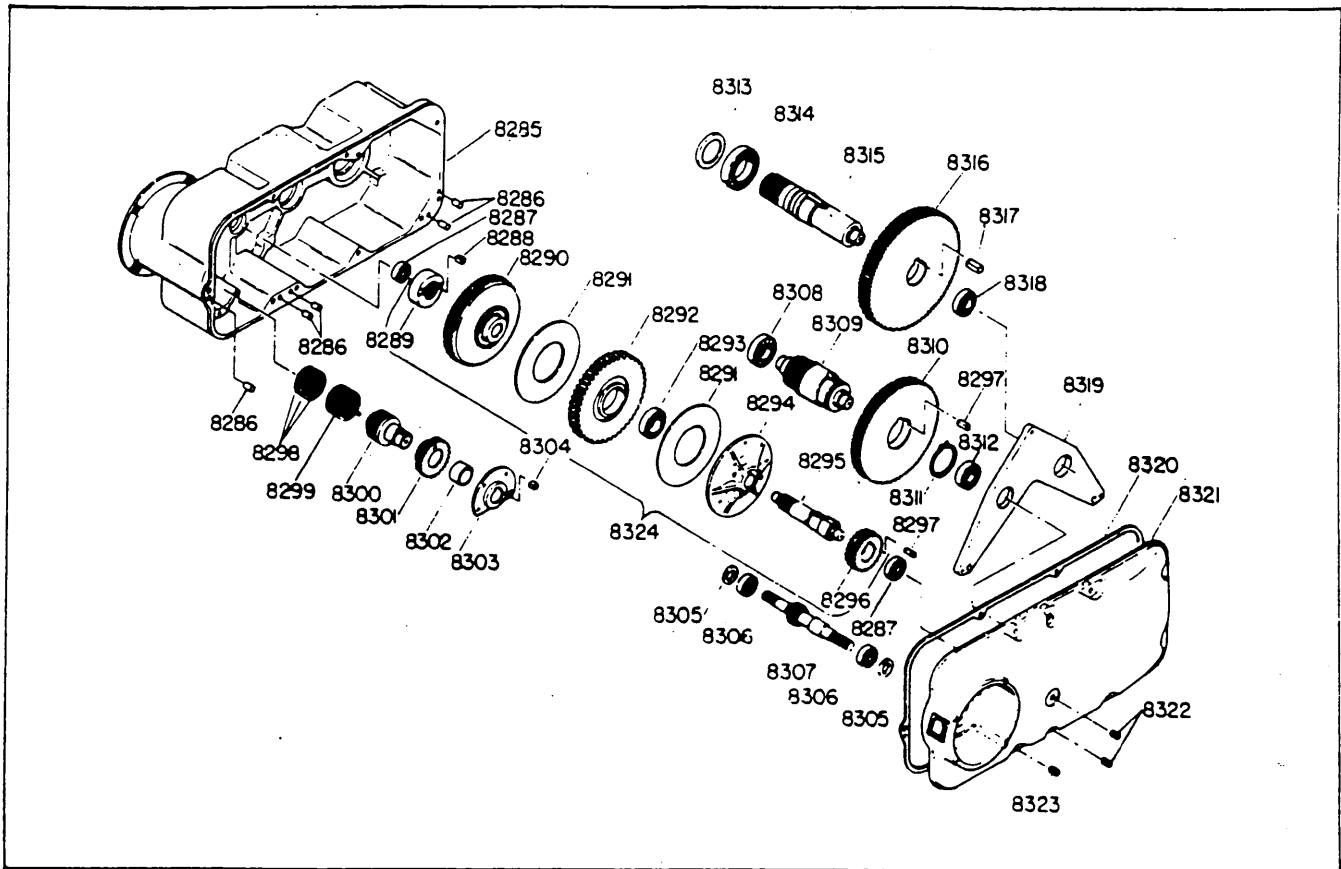
240-6a



ITEM	QTY	DESCRIPTION
1	1	2406295001 BR SUPPORT
2	2	2406309001 SHEAVES
3	4	2206498014 SWAP RINGS
4	2	6300502111 BEARING
5	1	2211955003 SPACER
6	2	2211955002 SPACER
7	2	2206497019 SWAP RING
8	1	2308710001 PIN ECU SHV

FRAME D 8
 FBART-LD BAR RUNNING SHV ASSY
 L D B A R R U N S H V
ROBBINS & MYERS
 A S S Y
 Head Division of KONE Material Handling, Inc.
 CHANGE LEVEL
 DRAWING NUMBER
 2406308001

DATE: 1-19-87
 BY: [Signature]
 TOLERANCES
 UNLESS OTHERWISE SPECIFIED
 DIMENSIONS ARE IN INCHES
 DECIMALS ARE TO 0.0001
 FRACTIONS ARE TO 1/32
 H252-092



HOIST GEAR CASE

REFERENCE NUMBER	PART DESCRIPTION
8285	Gear Case
8286	Dowel Pins
8287	Ball Bearings
8288	Key
8289	Cam Nut
8290	Spider Gear
8291	Friction Discs
8292	Ratchet Gear
8293	Ball Bearing
8294	Thrust Disc
8295	Load Bar Shaft
8296	Intermediate Pinion
8297	Keys
8298	Washers
8299	Spring
8300	Clutch Shaft
8301	Pinion
8302	Bushing
8303	Clutch Cover
8304	Key

REFERENCE NUMBER	PART DESCRIPTION
8305	Oil Seals
8306	Ball Bearings
8307	Motor Extension Shaft
8308	Ball Bearing
8309	Drum Pinion
8310	Intermediate Gear
8311	Snap Ring
8312	Ball Bearing
8313	Oil Seal
8314	Ball Bearing
8315	Drum Drive Shaft
8316	Drum Gear
8317	Key
8318	Ball Bearing
8319	Spider
8320	Gasket
8321	Gear Case Cover
8322	Pipe Plugs
8323	Vent
8324	Load Brake Assembly

HOIST SERIAL NUMBER MUST BE FURNISHED IN ADDITION TO PART REFERENCE NUMBER.

Spare Parts Identification

LOAD BRAKE

All load brakes are self-adjusting and require a minimum of maintenance. Wear on friction disc should be checked during any gear case maintenance. Replace discs when thickness reaches $1/16$ ". To adjust for disc wear, or reset after disc replacement, remove the key from the cam nut. Rotate cam nut/load brake gear until brake is closed snugly. Back off cam nut/load brake gear just enough to replace key in the first available key slot. Retighten load brake gear and check the clearance between the cam nut and spider gear shoulders. The clearance should be between $1/8$ " and $3/8$ ". If the gap is less than $1/8$ " it will be necessary to use the second available key slot. In no case should initial gap adjustment exceed $7/16$ ".

Brake should be readjusted whenever gap exceeds $5/8$ ". See Figure 6-1.

The load brake should be checked for proper holding action after any load brake maintenance is performed.

To check to see whether load brake is holding properly, attach approximately a 25% capacity load to hook and raise off floor 6". Release motor brake by backing off center adjusting screw approximately 2 turns. Load should remain suspended. If load drifts to floor, check for malfunctioning spring clutch assembly or worn friction discs. Repair/replace as necessary.

Note: Severe impact or shock loads on hook due to improper handling of loads may result in a locked load brake. Load can be raised, but motor torque is not sufficient to unlock brake to permit lowering, and motor stalls. If load brake does not release after several inchings of the down button, the load must be removed from the hook before manual efforts are made to unlock the brake. It is recommended that the unlocking and subsequent inspection of load brake be performed by a serviceman experienced in these areas.

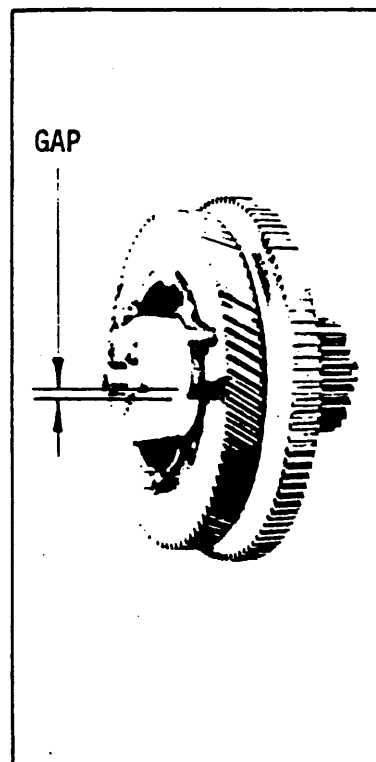
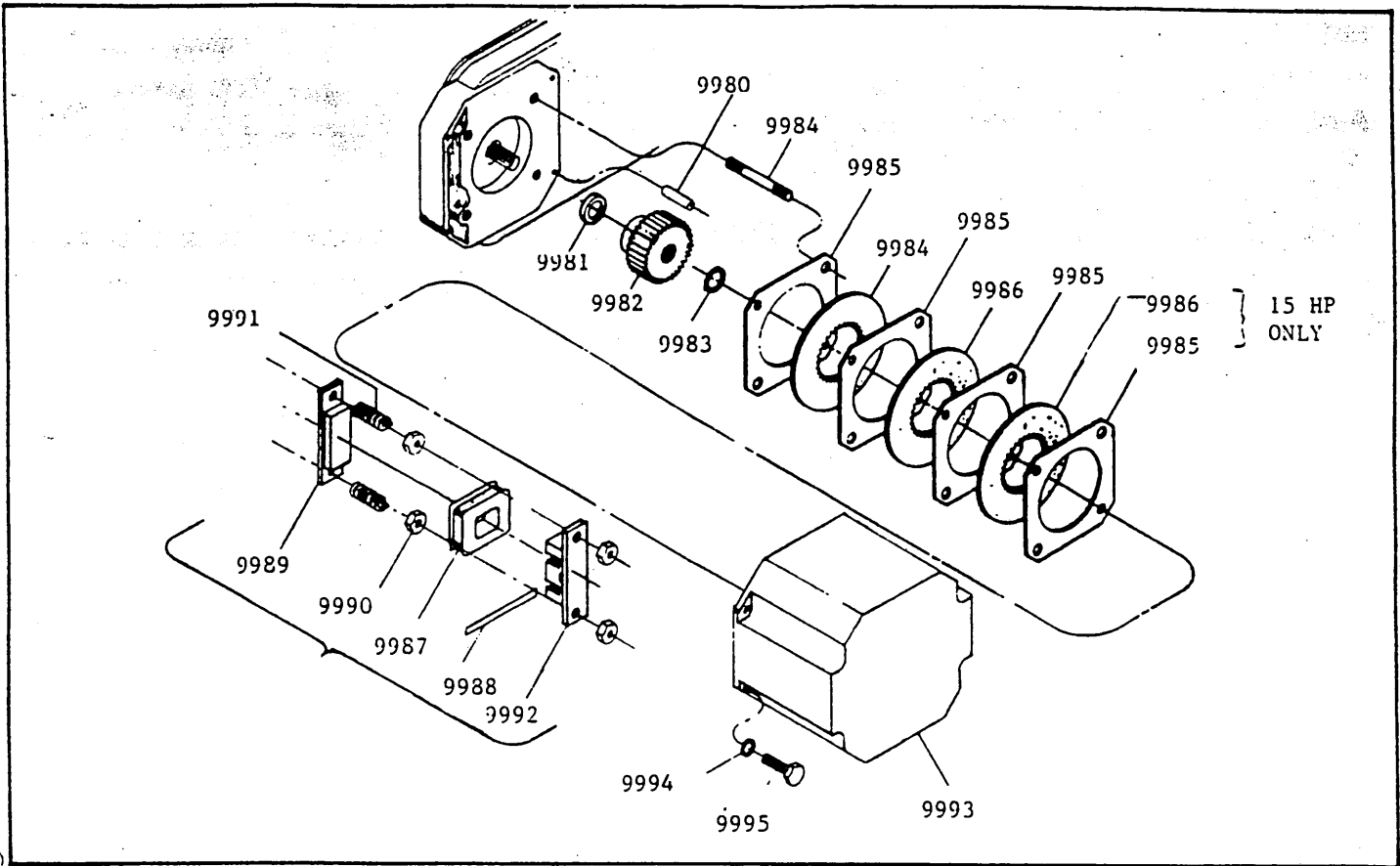


Figure 6-1



R-7B BRAKE

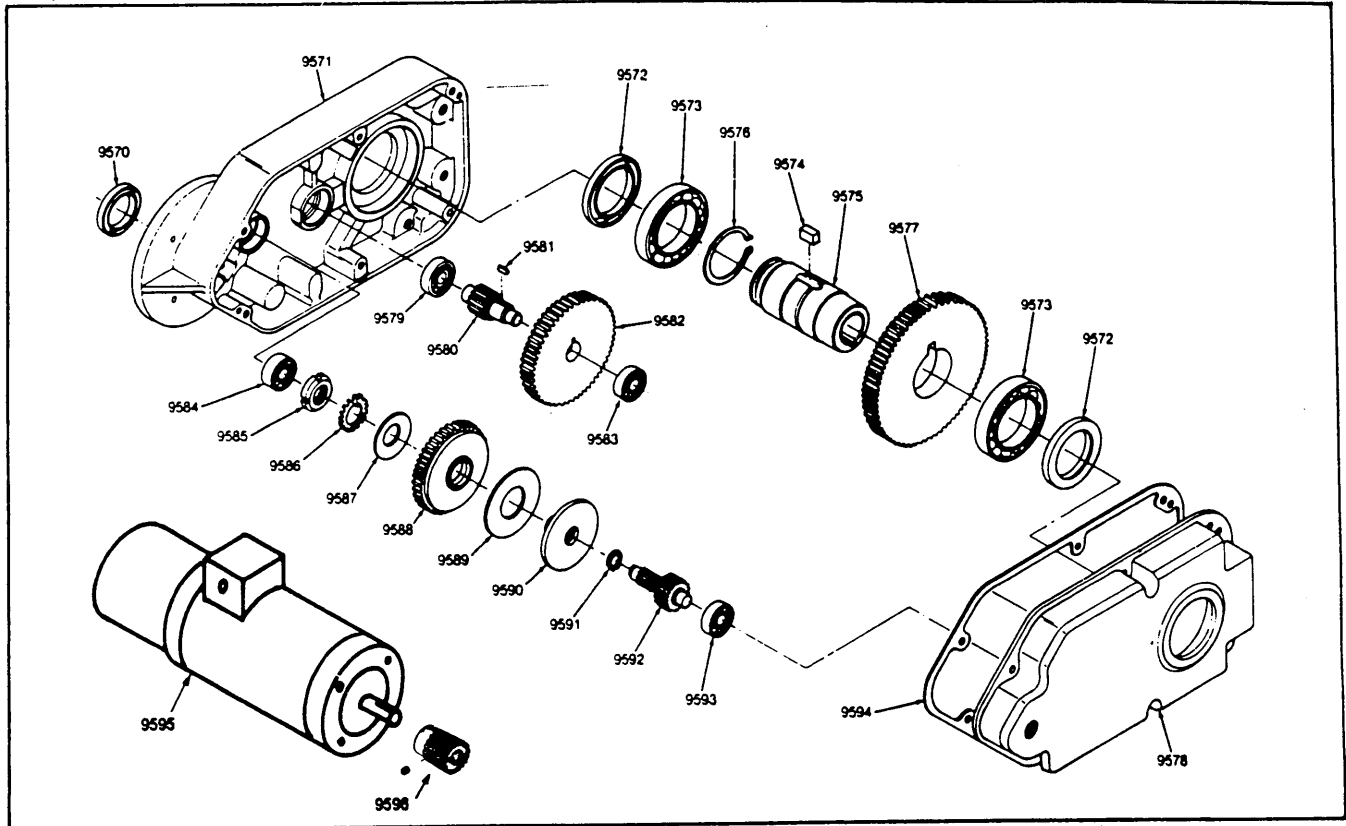
REFERENCE NUMBER	PART DESCRIPTION
9980	Brake Cover Pin
9981	Oil Seal
9982	Brake Hub
9983	Retaining Ring
9984	Brake Studs
9985	Thrust Discs
9986	Friction Discs (2 DISC 10 HP STD, 3 DISC 15 HP STD)
9987	Coil
9988	Wedge
9989	Armature Plate Assembly
9990	Hex Nut
9991	Spring
9992	Pole Plate Assembly
9993	Brake Cover
9994	Lock Washers
9995	Hex Head Cap Screws
9996	Magnet Set
9997	Complete Brake Assembly

*Use this reference number when ordering.

HOIST SERIAL NUMBER *MUST* BE FURNISHED IN ADDITION TO PART REFERENCE NUMBER

This is your operation and maintenance manual for your R&M Materials Handling, Inc. TR3 gearmotor. A copy of this manual was included with the shipment.
Please specify the serial # and part reference # for prompt service.

SERIAL # _____
CATALOG # _____
MOTOR H.P. _____ @ _____ RPM
CURRENT _____ VOLT _____ PH _____ CYCLE

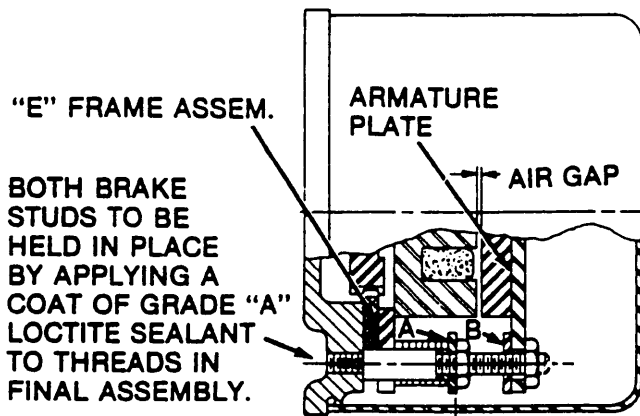


TR 3 MOTORREDUCER GEARCASE

REFERENCE NUMBER	PART DESCRIPTION	REFERENCE NUMBER	PART DESCRIPTION
9570	OIL SEAL	9584	BALL BEARING
9571	GEARCASE	9585	BEARING LOCK NUT
9572	OIL SEAL	9586	BEARING LOCK WASHER
9573	BALL BEARING	9587	BEVELLED WASHER
9574	KEY	9588	SHOCK CLUTCH
9575	DRIVE SHAFT	9589	FRICTION DISC
9576	SNAP RING	9590	SHOCK CLUTCH DISC
9577	DRIVE GEAR	9591	SNAP RING
9578	GEARCASE COVER	9592	CLUTCH PINION
9579	BALL BEARING	9593	BALL BEARING
9580	INTERMEDIATE PINION	9594	GEARCASE GASKET
9581	KEY	9595	MOTOR
9582	INTERMEDIATE GEAR	9596	MOTOR PINION
9583	BALL BEARING		

DRIVE SERIAL NUMBER *MUST* BE FURNISHED IN ADDITION TO PART REFERENCE NUMBER

BRAKE



BOTH BRAKE STUDS TO BE HELD IN PLACE BY APPLYING A COAT OF GRADE "A" LOCTITE SEALANT TO THREADS IN FINAL ASSEMBLY.

MOVE THIS DIRECTION TO INCREASE TORQUE AND PROVIDE QUICKER STOP

MOVE THIS DIRECTION TO REDUCE TORQUE AND PROVIDE SMOOTHER STOP

All brakes are set at the factory for average conditions based on the capacity and speed. You may adjust the torque to suit your particular application.

To adjust brake torque—compress spring to the required level by adjusting nut "A", lock in place with jam nut.

To adjust brake for lining wear, set air gap at 1/32" (.031") by adjusting nut "B". Lock armature plate securely in place with jam nut.

IMPORTANT: Recheck air gap to make sure at least .031" air gap is present. For maximum life and performance from brake, adjustments should be made when air gap exceeds 1/16" due to friction disc wear. Disc should be replaced when thickness of disc is reduced to 1/8".

MOUNTING

The R&M Materials Handling, Inc. crane drive may be mounted in either a vertical or horizontal position.

CLUTCH ADJUSTMENT

The drive train is equipped with an override clutch to protect against potentially damaging impact loads. If excessive slips develop during normal operations, the clutch may be tightened. To tighten clutch remove the clutch assembly from the gear case. Tighten the bearing locknut (Fig. 415-1, Part No. 9585) all the way. Then back off locknut 1/4 turn. Relock in place with bearing lock washer (Fig. 415-1, Part No. 9586).

NOTE: Vent plug must be installed prior to start-up.

LUBRICATION

A good commercial grade gear lube is recommended for use as follows:

For ambient temperatures of -20° to 40°F use an 80 weight lube.

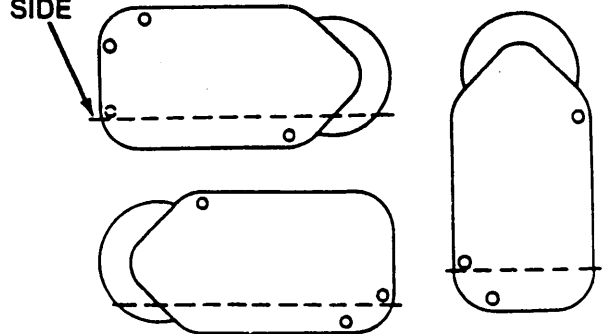
For ambient temperatures of 40° to 120°F use a 90 weight lube.

Vertical position use 1½ quarts.

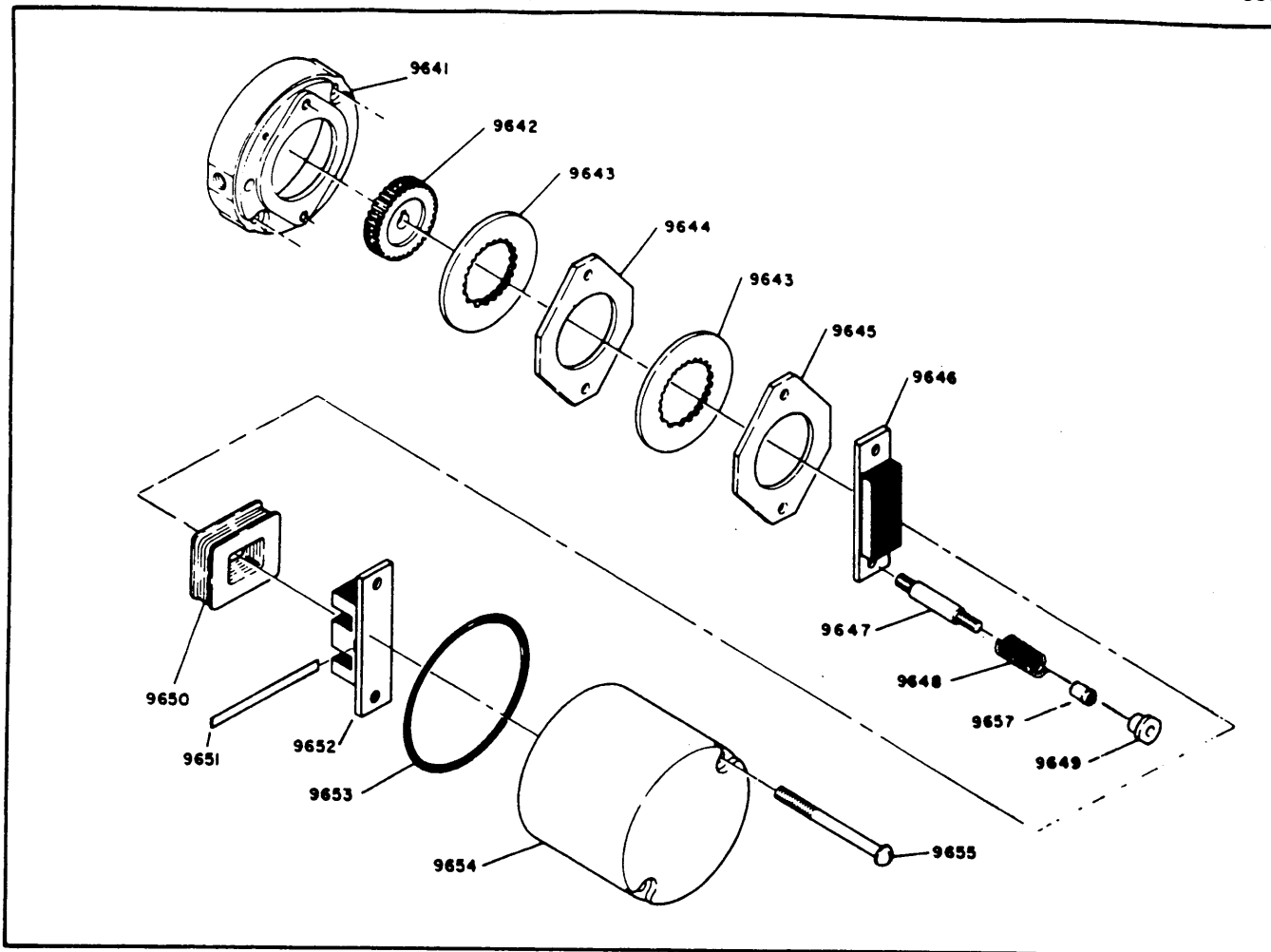
Horizontal position use 2 quarts.

NOTE: Before placing the drive unit in operation, oil level must be checked and filled.

CHECKING PLUG ON REVERSE SIDE



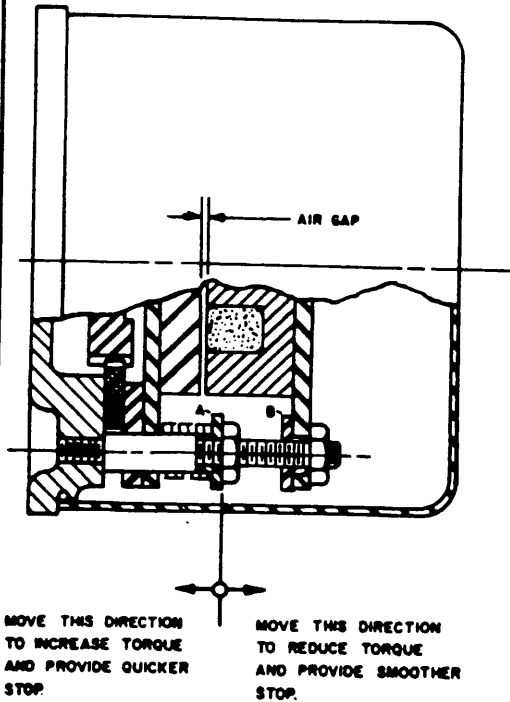
OIL LEVEL INDICATED BY HEAVY DASHED LINE



R4A MOTOR BRAKE

REFERENCE NUMBER	PART DESCRIPTION
9641 •	Brake Adapter
9642 •	Brake Hub
9643 •	Friction Discs (1 Req'd R4A-4.0, 2 Req'd R4A-8.0)
9644 •	Intermediate Disc (R4A-8.0 only)
9645 •	Thrust Disc
9646 •	Armature Plate Assembly
9647 •	Brake Stud
9648 •	Spring
9649 •	Adjusting Nut
9650 •	Coil (Specify voltage stamped on coil)
9651 •	Wedge
9652 •	Pole Plate Assembly
9653 •	Gasket
9654 •	Brake Cover
9655 •	Bolt
*9656 •	Brake Assembly
9657 •	Spacer 2 Req'd R4A-8.0 only)

*USE THIS NUMBER WHEN ORDERING COMPLETE ASSEMBLY
UNIT SERIAL NUMBER MUST BE FURNISHED IN ADDITION TO PART REFERENCE NUMBER.



TORQUE ADJUSTMENT:

Brakes used on hoist motion drives are to be adjusted for maximum torque.

Brakes used on trolley and crane motion drives can be adjusted to provide stopping action to suit operations.

To adjust, loosen jam nuts at adjusting nuts "A" and adjust both sides equally as indicated by direction of arrows. Relock jam nuts after proper setting is determined.

WEAR ADJUSTMENT:

Loosen jam nuts at adjusting nuts "B" and adjust both sides to get uniform 1/32" (.031") air gap in magnet assembly. Relock jam nuts securely and recheck to insure proper air gap. Adjustment for wear is indicated when air gap exceeds 1/16". Friction disc should be replaced when worn to 1/8" thickness.

ELECTRICAL CONNECTIONS

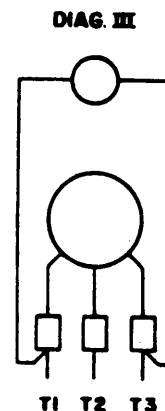
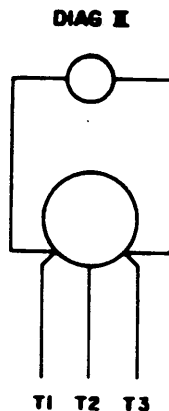
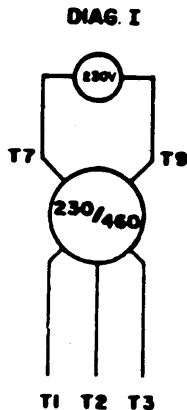
When used as a replacement brake, the coil voltage should be the same as that of the old brake for proper operation.

When used as an add-on brake kit, connections may allow latitude in selection of brake coil voltage.

DIAGRAM I: Allows usage with dual voltage (230/460) motors and permits use of 230 volt brake coil for either line voltage. Brake coil lead connections are to be completed in the motor terminal box.

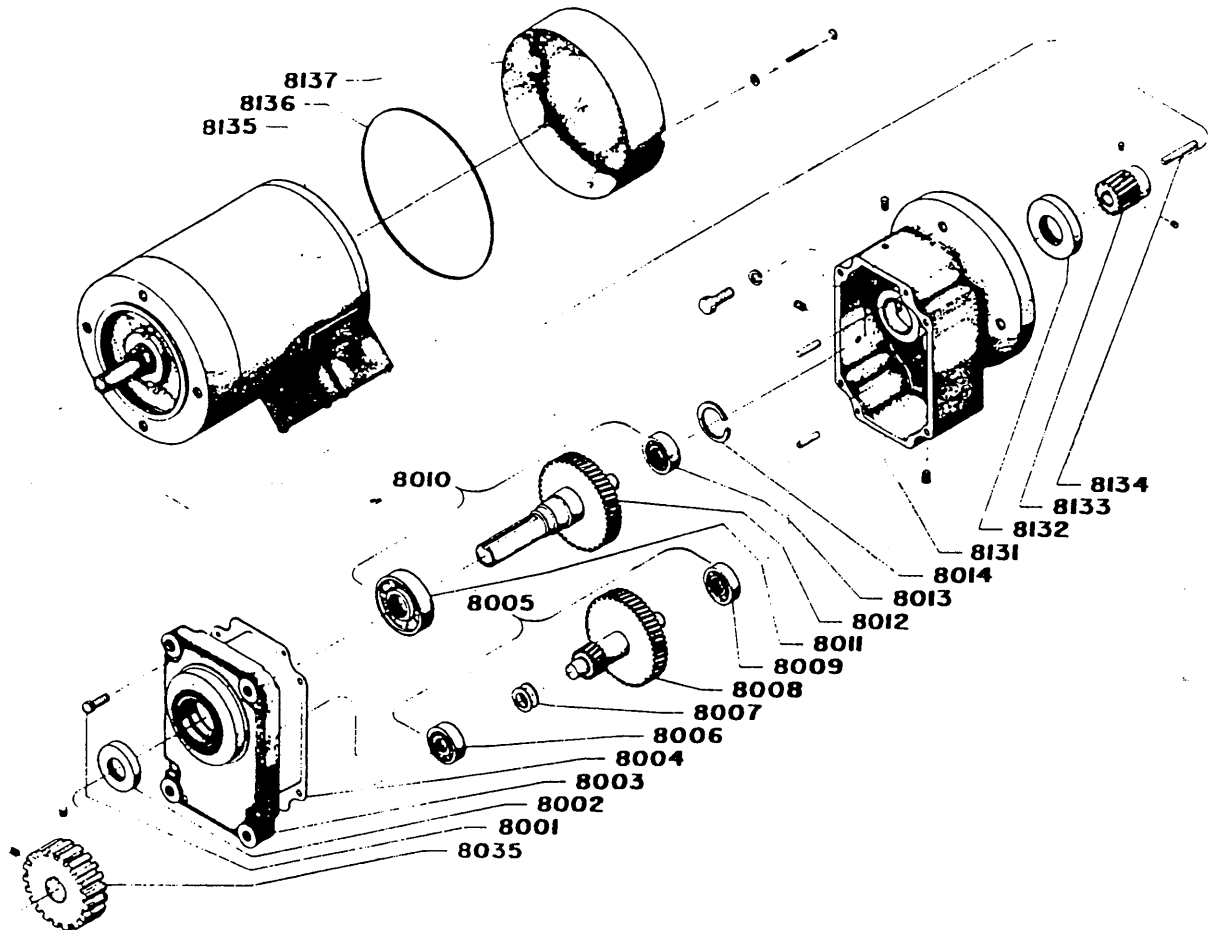
DIAGRAM II: Allows usage with dual voltage (230/460) motors, and must be used with single voltage motors. Brake coil voltage must equal line voltage. Brake coil lead connections are to be completed in the motor terminal box.

DIAGRAM III: Must be used on any installation where control system uses a startmaster or ballast resistor to cushion motor start. Brake coil voltage must equal line voltage. Wiring must be run to the control system such that the brake coil will receive full voltage.



For additional information, consult W.D. furnished with original equipment when applicable.

**GEARMOTOR
 DOUBLE REDUCTION**



8130 GEARMOTOR ASSEMBLY

8001	COVER SCREW	8012	DRIVE SHAFT & GEAR
8002	OIL SEAL	8013	BEARING
8003	GEARCASE COVER	8014	SNAP RING
8004	GEARCASE COVER GASKET	8035	PINION, DRIVE
8005	INTERMEDIATE SHAFT ASSEMBLY	8131	GEARCASE
8006	BEARING	8132	OIL SEAL
8007	SPACER	8133	PINION, MOTOR
8008	INTERMEDIATE SHAFT & GEAR	8134	KEY, PINION
8009	BEARING	8135	MOTOR
8010	DRIVE SHAFT ASSEMBLY	8136	"O" RING SEAL
8011	BEARING	**8137	MOTOR END COVER

ELECTROMAGNETIC RELEASE SPRING SET MOTOR BRAKE

TABLE OF CONTENTS

SECTION	
I	SAFETY PRECAUTIONS
II	PRINCIPLES OF OPERATION
III	ACCESSORIES
IV	MOTOR BRAKE DESCRIPTION
V	ASSEMBLY INSTRUCTIONS
VI	ELECTRICAL CONNECTION
VII	ALTERING TORQUE RATING
VIII	MAINTENANCE
IX	PARTS LIST AND ORDERING PROCEDURE

SECTION I

SAFETY PRECAUTIONS

1. To prevent electrical mishaps, be sure to disconnect the power to the motor and to the brake from its source before attempting assembly, service or repair.
2. Lock down or secure any load held by this brake prior to service or repair.
3. If this brake has been supplied with a manual hand release, do not override the brake by securing the hand release in an open position.
4. Do not operate brake in atmospheres with explosive gases and dusts or corrosive substances. This brake can operate in non explosive dust, or with the optional seal in water splash and oil laden atmospheres.
5. When storing or installing the friction rotor, ensure that oil or grease is kept from the friction material surface.

SECTION II

OPERATING PRINCIPLES

A. HOW THE BRAKE SETS

The Lenze Electromagnetic Release, Spring Set Motor Brake, as shown in Figure 1, produces its stopping torque by the use of multiple springs (4) exerting pressure against the armature plate (2). The armature plate, in turn, is forced towards the NEMA C adapter (15A) compressing the dual faced friction rotor (6) between the armature plate and the friction plate (10). Figure 1 illustrates the position of the armature plate, friction rotor and NEMA C adapter with friction plate in the set position. The rotor is internally splined to the hub (7) which is keyed to the shaft.

B. ADJUSTING THE TORQUE

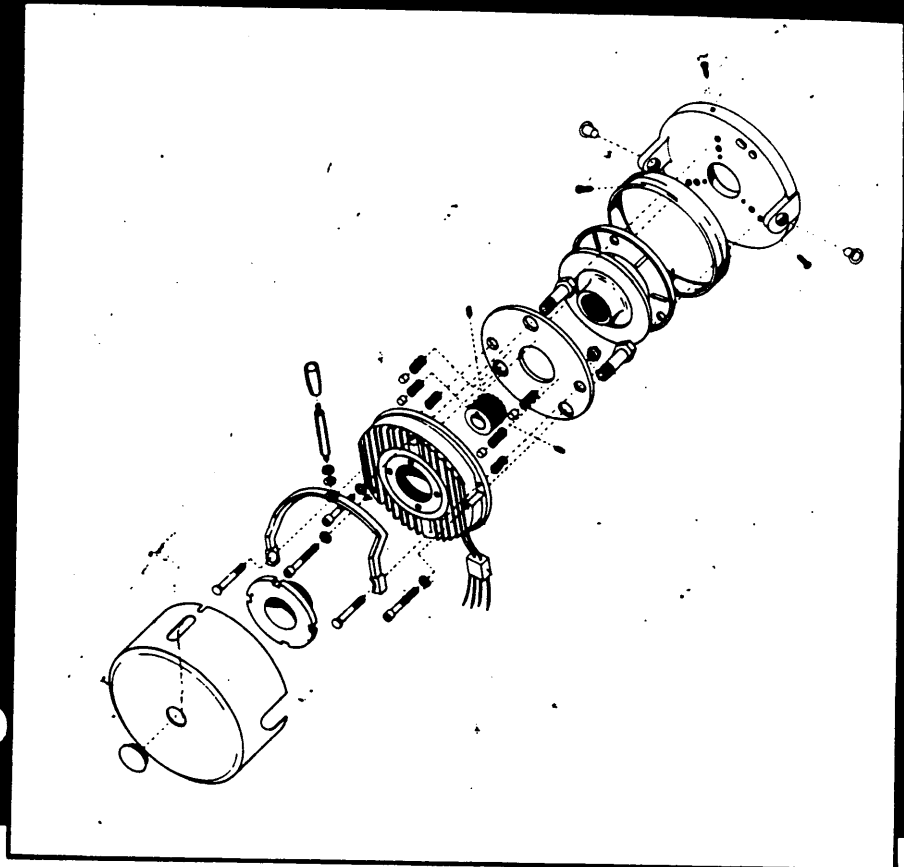
The braking force is adjustable by turning the torque adjusting ring (3) with a spanner. Do not exceed dimension "0," in Table 1, Figure 1. Turning the ring counter clockwise reduces the braking torque. There is a step/detent action as the ring is turned. Each step affects the torque; refer to Section VII for details.

C. HOW THE BRAKE RELEASES

Energizing the coil (1) with the proper voltage produces an electromagnetic force which attracts the armature plate (2), closes the air gap "a" and allows the friction rotor (6) to rotate freely. The axial movement of the friction rotor is accommodated by the splined hub (7). Lenze motor brakes have a rectifier built in which provides the proper DC output with AC voltage input.

Lenze
Power Transmission

Motor Brake
Operation Instructions
Maintenance Manual



4. Secure the mounting flange (15A) to the mating NEMA C face register with hex head machine bolts (not supplied).

5. The air gap is pre-set at the factory. If air gap adjustment is necessary, refer to Section VIII.

6. Connect the brake electrically per Section VI

7. Re-install brake cover (14). Insure wire leads are not in contact with the friction rotor and the leads are not pinched or trapped by the cover.

If retrofitting the Lenze motor brake to an existing application where the motor C bracket is an integral part of the fan cover guard, the shaft extender assembly (Figure 2A) must be utilized. All assembly steps are the same except Step 2. Slide the shaft extender assembly onto the motor short end shaft extension and secure with the two (2) set screws provided.

* If a hand release is supplied, the brake handle (13B through 13E) must be removed in order to remove or install the brake cover.

FIGURE 2
Exploded View

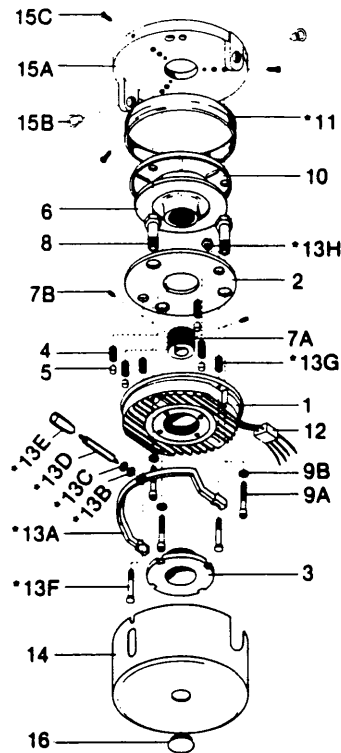
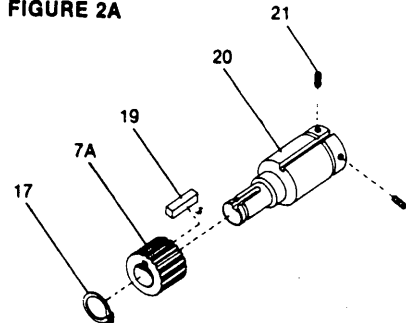


FIGURE 2A



PARTS DESCRIPTION

- | | |
|---------------------------------------|-------------------------|
| 1. stator | 10. friction plate |
| 2. armature plate | 11. seal |
| 3. torque adjusting ring | 12. rectifier |
| 4. springs | 13A-H. hand release kit |
| 5. tappets | 14. brake cover |
| 6. friction rotor | 15A. NEMA C adapter |
| 7A. splined hub | 15B. NPT fitting plugs |
| 7B. set screws | 15C. brake cover screws |
| 8. adjustment tube | 16. brake cover plug |
| 9A, B. mounting bolts
& lockwasher | |

SHAFT EXTENDER ASSEMBLY (Figure 2A)

- | | |
|---|--------------------|
| 17. retaining clip | 19. key |
| 7A. splined hub
(without set screws) | 20. extender shaft |
| | 21. set screws |

*Optional Equipment

FIGURE 3

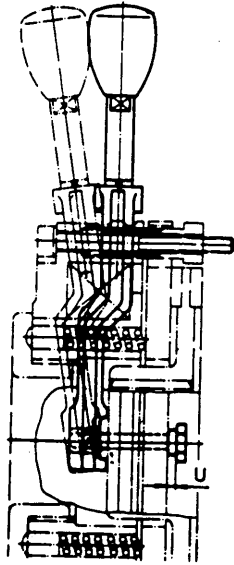


TABLE 1

Torque lb. ft.	3	6	10	25	45	60
Torque reduction /step lb.-ft.	.074	.148	.443	.885	1.18	1.55
0, (fig. 1) inch	.24	.26	.33	.39	.45	.45

TABLE 2

Torque lb. ft.	3	6	10	25	45	60
'a' inch	.004	.004	.004	.008	.008	.008
'a max' inch	.020	.024	.024	.040	.043	.055
'u' inch	.040	.040	.040	.040	.040	.059

SECTION IX

PARTS LIST AND ORDERING PROCEDURE

Information required to order the correct part.

- Motor Brake Kit P/N (from brake nameplate)
- ¹ Voltage (from brake nameplate - not supply voltage)
- Position number and description (Figure 2)
- ² Hub bore and key dimensions

¹ Required only if ordering stator (pos. 1) or rectifier (pos. 12)

² Required only if ordering splined hub (pos. 7A)

MOTOR BRAKE NAMEPLATE

Lenze		CSA APPROVED
Lenze Corp. • Fairfield, New Jersey • (201) 227-5311		
MOTOR BRAKE		
TYPE	<input type="text"/>	TORQUE <input type="text"/> LB-FT
PHASE	<input type="text"/> HZ <input type="text"/>	VOLTS <input type="text"/>
NO.	<input type="text"/>	

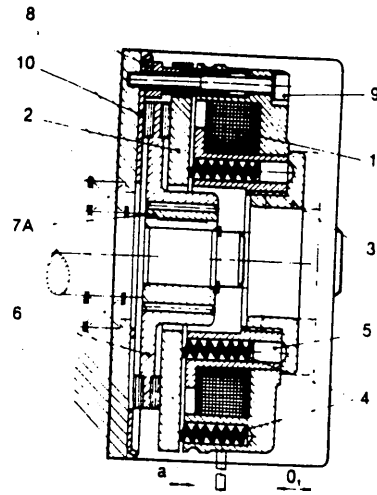
Lenze Corporation • 311 Route 46 W • Fairfield, New Jersey 07006
 Telephone: (201) 227-5311; Telex: 642-520; Telefax: (201) 227-7423

Printed in USA

Technical Alterations Reserved

MB388

FIGURE 1
Cross Sectional View



SECTION III

ACCESSORIES

A. MANUAL RELEASE HANDLE (Position 13, Figure 2)

In the event of power failure the brake can be released manually. Pulling the handle towards the torque adjusting ring releases the friction rotor by moving the armature plate away. The release is a deadman type so that when you let go, the brake immediately returns to its set position.

B. SEAL (Position 11, Figure 2)

Stretch the seal over the brake, allow it to snap into the grooves provided around the coil body and friction plate. The brake is now protected against oily, dirty or wet environments. The seal is also ideal in clean environments where it is necessary to keep the non-asbestos friction dust contained inside the brake.

SECTION IV

MOTOR BRAKE DESCRIPTION

TORQUE (lb. ft.)	MOTOR FRAME	AK DIMENSION	KIT P/N*
3	56/140	4 1/2	4001
6	56/140T	4 1/2	4002
6	180TC	8 1/2	4004
10	56/140T	4 1/2	4003
10	180TC	8 1/2	4005
25	210T	8 1/2	4006
45	250T	8 1/2	4007
60	250T	8 1/2	4008

*Kit includes parts as shown in Figure 2.

SECTION V

ASSEMBLY INSTRUCTIONS - Refer to Figure 2

1. Remove brake cover (14) by first removing the three cover attachment screws (15C)
2. Use a key (not supplied), tight fitting and full length of the hub (7A). Slide the hub onto the shaft, fully seated against the shoulder. Securely tighten both hub set screws (7B) against the shaft. (Recommended practice is to drill dimple into the shaft to receive the set screws).
3. Slide the brake assembly onto the hub (7A). The internal splines on the friction disc and the splines on the hub should engage freely.

SECTION VI

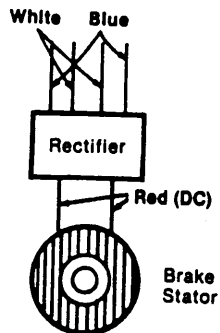
ELECTRICAL CONNECTION

1. Determine power supply voltage.
2. Clip off the appropriate wire crimp caps to the selected rectifier wire leads.

Part No	Supply Voltage (1 phase)	Wire Leads
97.4020	115/208-230 VAC	115 VAC - White 208-230 VAC - Blue
97.4003	208-230/460 VAC	208-230 VAC - White 460 VAC - Blue
97.4021	575 VAC	575 VAC - Blue

3. Strip insulation off the wire leads.
4. Bring the power supply wire leads into the motor brake enclosure through the desired $\frac{1}{2}$ " NPT fitting in the NEMA C adapter or oval holes provided in the NEMA C adapter.
5. Make the proper electrical connection.

Note: Ensure that the wire leads are not in contact with the friction rotor and are not pinched or trapped by the brake cover.



Blue Wire Leads

White Wire Leads (in case of the rectifier for 575 VAC Part No. 97.4021 these leads do not exist).

Red Wire Leads (Polarity is not important).

SECTION VII

ALTERING THE TORQUE RATING

The brake is supplied from the factory with the nominal torque settings. This torque can be reduced by unscrewing the torque adjustment ring (3) with a spanner within the limit of the "0," dimension given in Table 1 and depicted in Figure 1. The torque adjuster ring has detent action with torque variation per step given in Table 1.

SECTION VIII

MAINTENANCE

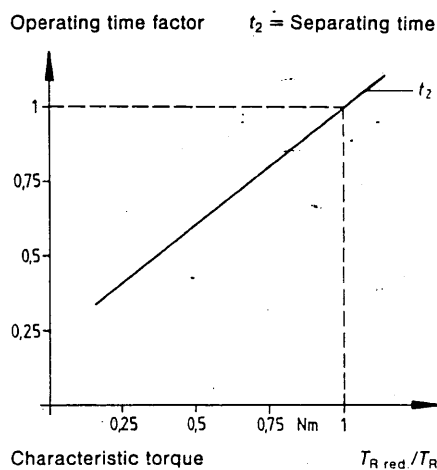
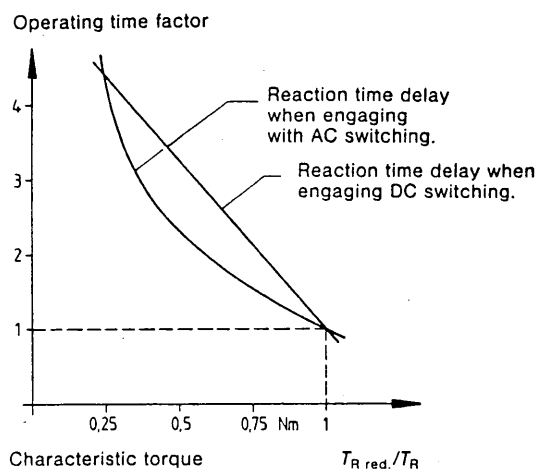
In most applications, the brake needs practically no maintenance. However, after a long period of operation, or if the brake has a high duty cycle, adjustment of the air gap ('a', Figure 1) may be necessary. When the 'a max' value shown in Table 2 is exceeded, the air gap must be adjusted back to the value shown as 'a' in Table 2. The air gap should be checked in 3 positions using a feeler gauge. Loosen mounting bolts (9A), rotate the adjustment tubes (8) approximately $\frac{1}{4}$ turn, retighten bolts (9A) and remeasure the air gap. Repeat this procedure with $\frac{1}{4}$ turn intervals until the 'a' value is reached in each of the 3 measuring positions. If the motor brake has a manual release, the gap 'u' shown in Figure 3 should be checked in order to be sure the brake fully disengages when pressure is applied. The 'u' value is given in Table 2 and can be set by adjusting nuts (13H). Once set, the nut should be locked since any change in this setting could interfere with the safe operation of the brake.

Altering the torque type 14.448

It is possible to change the torque down from its nominal value by approximately 40 %. If the characteristic torque is changed at the springloaded brake type series 14.448 by turning the adjustment ring then the following technical parameters change: Reaction delay times t_1 and separating times t_2 change according to the diagram with the operating time factor as compared to the values given in the table.

Size	06	08	10	12	14	16	18	20	25
Characteristic torque T_R lb-ft	3	6	12	25	45	60	110	180	265
Reduction per lock in position lb-ft	0.07	0.27	0.44	0.89	1.1	1.55	1.55	1.74	1.9

Operating time change depending on the characteristic torque setting

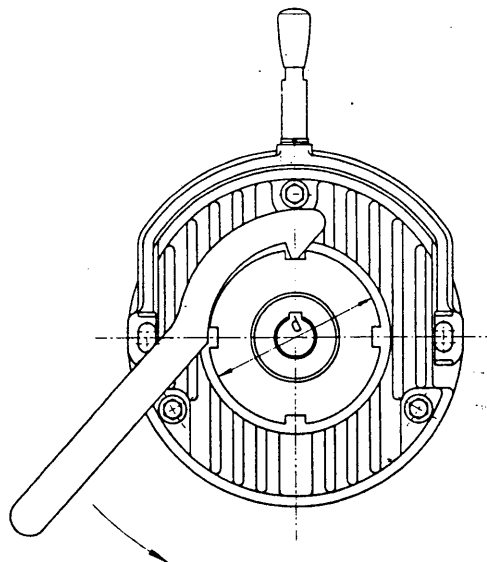


Altering the torque type 14.448 via hook wrenches*

When altering the torque we recommend the use of a hook wrench which can be selected from the outer diameter of the adjuster nut.

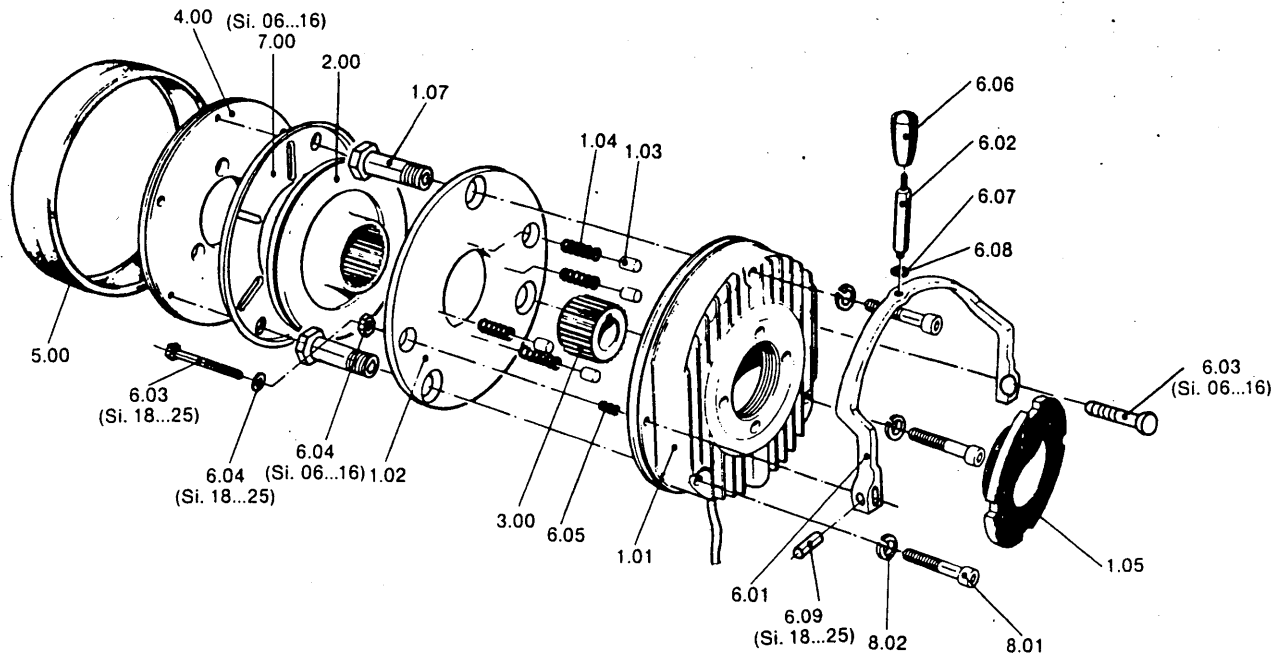
size	adjuster nut diameter d	
	inch	mm.
06	1.890	48
08	2.047	52
10	2.677	68
12	3.228	82
14	3.622	92
16	4.016	102
18	4.567	116
20	5.315	135
25	6.496	165

* Supplied by others



Spare part list

Electromagnetic brake type 14.448



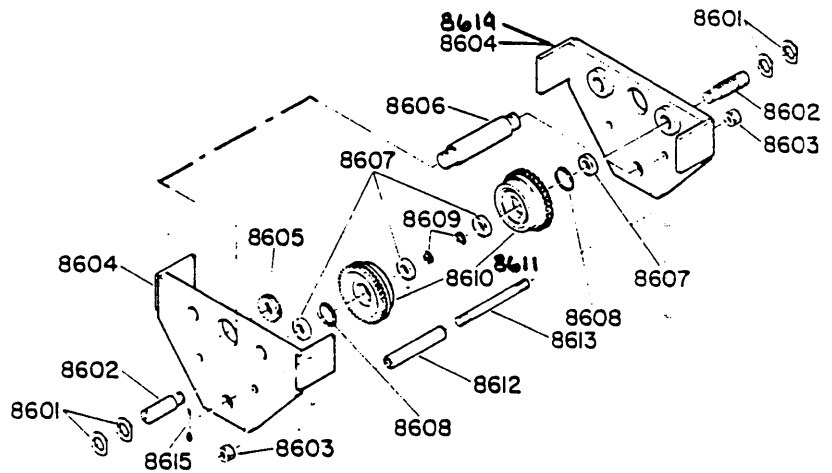
Position

- 1.00 stator compl.
(DC voltage (not supply voltage))
- 1.01 stator
(DC voltage (not supply voltage))
- 1.02 armature plate
- 1.03 tappets
- 1.04 springs
- 1.05 torque adjusting ring
- 1.07 adjustment tube
- 2.00 aluminium rotor
(for sizes 06 and 08 a star hub + rotor is available, see page 7)
- 3.00 splined hub
(hub bore, key dimensions)
- 4.00 flange
- 5.00 seal
- 6.00 hand release kit
(standard or reinforced kit (size 06-16))
- 6.01 hand release stirrup
(standard or reinforced stirrup (06-16))
- 6.02 hand release lever

- 6.03 bead bold (size 06 ... 16)
(hexagon head screw (size 18 ... 25))
- 6.04 hexagon nut (size 06 ... 16)
(washer (size 18 ... 25))
- 6.05 spring
- 6.06 knob
- 6.07 spring washer
- 6.08 plastic washer
- 6.09 bold (size 18 ... 25)
- 7.00 friction plate (size 06 ... 16)
- 8.00 assembly kit
(mounting bolt length)
- 8.01 mounting bolts
(mounting bolt length)
- 8.02 lockwasher

Ordering example

14.448.12 – pos. 6.00 hand release kit, standard

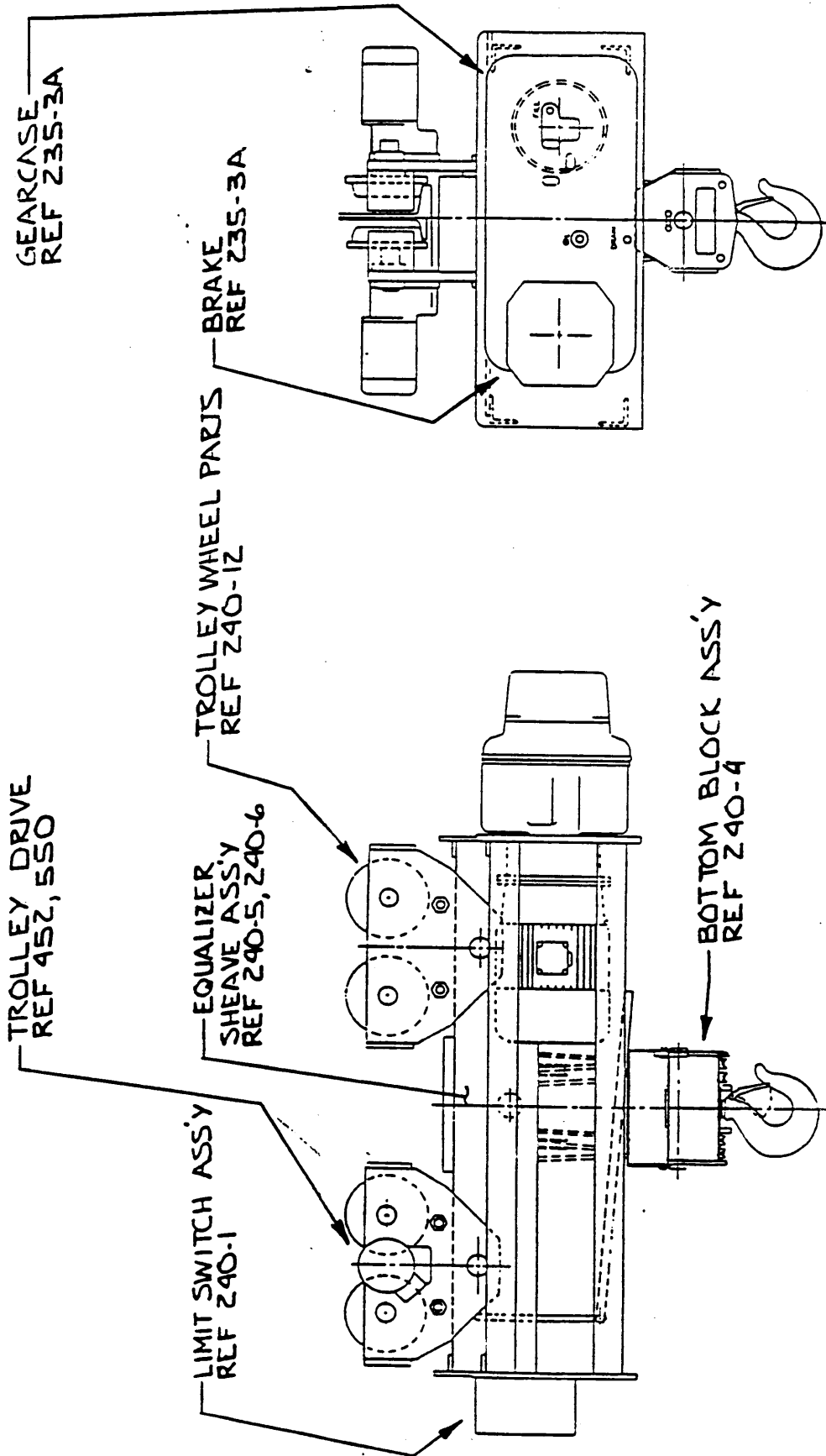


TROLLEY COMPONENTS

REFERENCE NUMBER	PART DESCRIPTION
8601	Lock Collars
8602	Wheel Studs
8603	Hex Nuts
8604	Drive Side Plates
8605	Drive Pinions
8606	Suspension Pins
8607	Ball Bearings
8608	Retaining Rings
8609	Retaining Rings
8610	Geared Wheels
8611	Idler Wheels
8612	Pipe Spacer
8613	Trolley Studs
8614	Idler Side Plates
8615	Cotter Pin

HOIST SERIAL NUMBER *MUST* BE FURNISHED IN ADDITION TO PART REFERENCE NUMBER.

240C



WARNING

For proper operation of limit, hook block must come in contact with and raise the limit weight. Caution must be used to make sure that any sling chains, load bars, or the load itself does not come in contact with underside of bridge girder or any other rigid structure before limit is tripped. Failure to observe can cause damage to equipment and injury to personnel for which R&M cannot be responsible. This warning must be conveyed to the first and subsequent purchasers, users and/or operators.

IMPORTANT! Upper limit is an emergency stop only and is not to be used as an automatic shut off during normal operation.

R&M MATERIALS HANDLING, INC.
SPACEMASTER
 HOIST & CRANE PRODUCTS

R&M MATERIALS HANDLING, INC.

SPACEMASTER
HOIST & CRANE PRODUCTS

Spare Parts Identification

SECTION 6 SPARE PARTS IDENTIFICATION/ADJUSTMENT AND REPLACEMENT INSTRUCTIONS

General

The pages in this section all refer to the specific Robbins & Myers hoist whose serial number matches that on the front page of this book.

Also included are specific operation and adjustment instructions applying to components and assemblies in the hoist.

IMPORTANT

Both the reference number and the hoist serial number must be provided to ensure the proper ordering of parts.