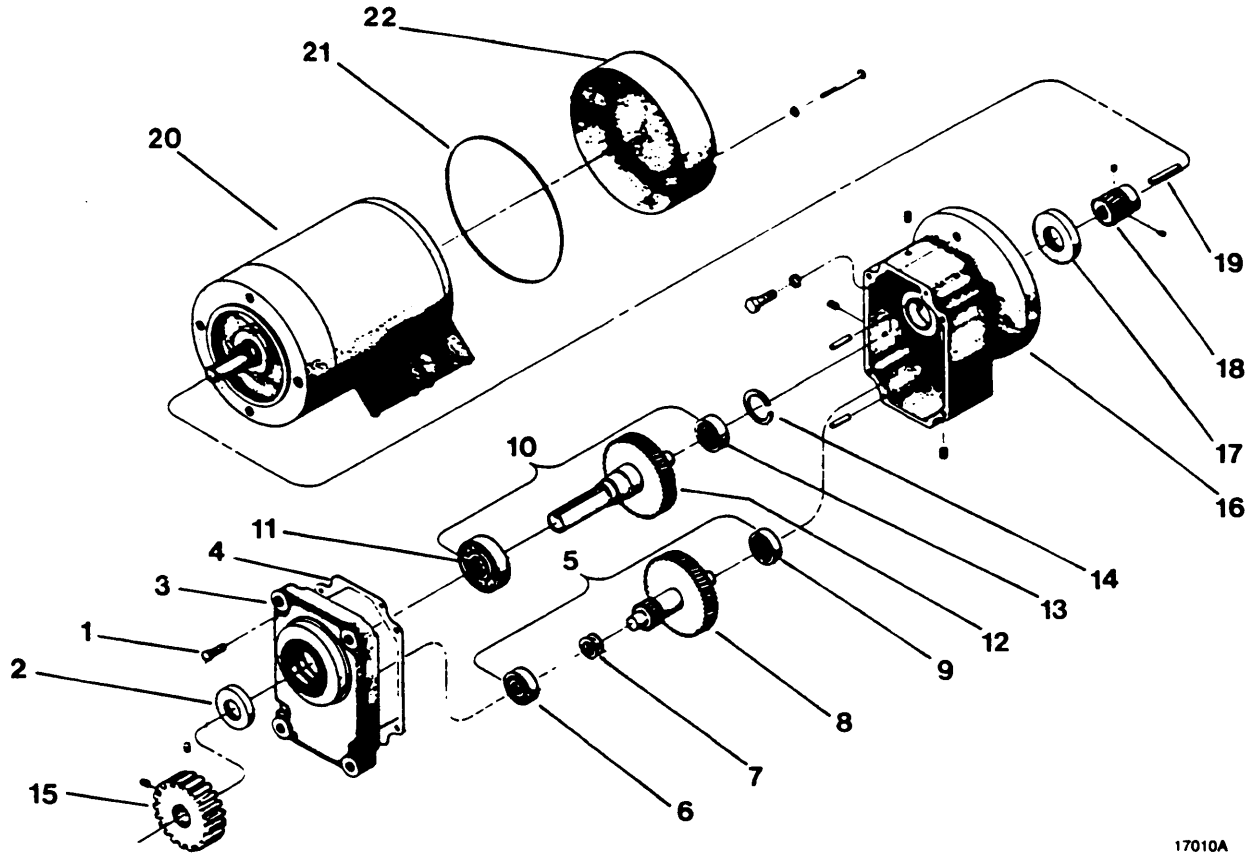


**DR DRIVE GEAR CASE AND MOTOR ASSEMBLY
2 REDUCTION**

**SPARE PARTS IDENTIFICATION
DR -1-1**



17010A

* Use this reference number for order complete assembly.

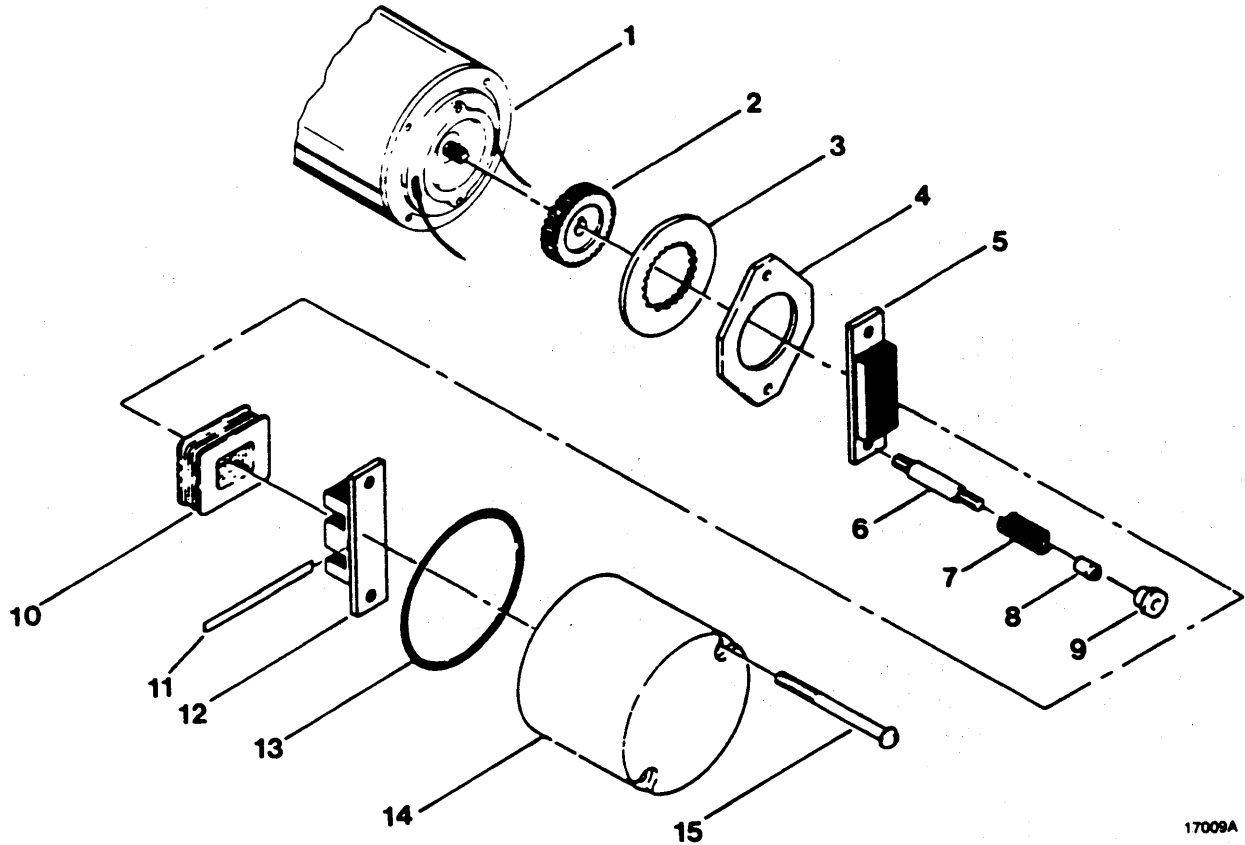
** For use on units equipped with brake.

DWG. ITEM	REFERENCE NUMBER	PART DESCRIPTION	QTY.	DWG. ITEM	REFERENCE NUMBER	PART DESCRIPTION	QTY.
1	C80201	SCREW, COVER	4	24	C80250	REPAIR KIT — INCLUDES ITEMS 2, 4, 5, 10, 17	1
2	C80202	OIL SEAL	1	25	C80200	COMPLETE GEARCASE ASSY.	1
3	C80203	COVER, GEARCASE	1				
4	C80204	GASKET, COVER	1				
5	C80205	INTERMEDIATE SHAFT ASSY.	1				
6	C80206	BEARING	1				
7	C80207	SPACER	A/R				
8	C80208	INTERMEDIATE SHAFT & GEAR	1				
9	C80209	BEARING	1				
10	C80210	DRIVE SHAFT ASSEMBLY	1				
11	C80211	BEARING	1				
12	C80212	DRIVE SHAFT & GEAR	1				
13	C80213	BEARING	1				
14	C80214	SNAP RING	1				
15	C80020	PINION, DRIVE	1				
16	C80216	GEAR CASE	1				
17	C80217	OIL SEAL	1				
18	C80218	PINION, MOTOR	1				
19	C80219	KEY, PINION	1				
20	C80220	MOTOR	1				
21	C80221	*O'RING SEAL	1				
22	C80222	COVER, MOTOR END **	REF				
23	C80223	GEAR MOTOR ASSY. *	REF				

COMPONENT SERIAL NUMBER AND PART REFERENCE NUMBER MUST BE PROVIDED WHEN ORDERING REPLACEMENT PARTS.

DR, GX DRIVE MOTOR BRAKE ASSEMBLY

SPARE PARTS IDENTIFICATION
BR -1-1



17009A

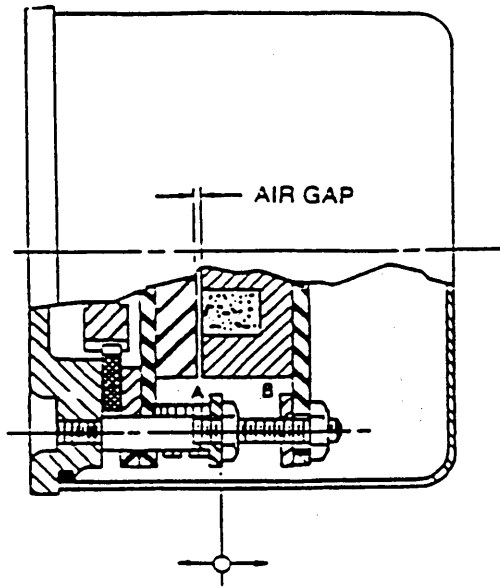
* Use this number when ordering complete assembly.

DWG. ITEM	REFERENCE NUMBER	PART DESCRIPTION	QTY.	DWG. ITEM	REFERENCE NUMBER	PART DESCRIPTION	QTY.
1	C80401	MOTOR (REFERENCE)	1				
2	C80402	BRAKE HUB	1				
3	C80403	DISC, FRICTION	1				
4	C80404	DISC, INTERMEDIATE	1				
5	C80405	ARMATURE PLATE ASSY.	1				
6	C80406	STUB	2				
7	C80407	SPRING	2				
8	C80408	SPACER	2				
9	C80409	NUT, ADJUSTING	2				
10	C80410	COIL, MAGNET	1				
11	C80411	WEDGE	1				
12	C80412	POLE PLATE ASSY.	1				
13	C80413	GASKET	1				
14	C80414	COVER, BRAKE	1				
15	C80420	BOLT COVER	2				
16	C80416	COMPLETE BRAKE ASSY.	1				
17	C80417	MAGNET REPAIR KIT (INCLUDES ITEMS 4 THRU 12)	1				

COMPONENT SERIAL NUMBER AND PART REFERENCE NUMBER MUST BE PROVIDED WHEN ORDERING REPLACEMENT PARTS.

**INSTRUCTIONS
BR -1-2**

DR, GX DRIVE MOTOR BRAKE ADJUSTMENT



TORQUE ADJUSTMENT:

Brakes used on hoist motion drives are to be adjusted for maximum torque.

Brakes used on trolley and crane motion drives can be adjusted to provide stopping action to suit operations.

To adjust, loosen jam nuts at adjusting nuts "A" and adjust both sides equally as indicated by direction of arrows. Relock jam nuts after proper setting is determined.

WEAR ADJUSTMENT:

Loosen jam nuts at adjusting nuts "B" and adjust both sides to get uniform 1/32" (.031") air gap in magnet assembly. Relock jam nuts securely and recheck to insure proper air gap. Adjustment for wear is indicated when air gap exceeds 1/16". Friction disc should be replaced when worn to 1/8" thickness.

MOVE THIS DIRECTION
TO INCREASE TORQUE
AND PROVIDE QUICKER
STOP.

MOVE THIS DIRECTION
TO REDUCE TORQUE
AND PROVIDE
SMOOTHER STOP.

17013A

ELECTRICAL CONNECTIONS

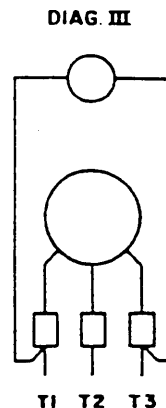
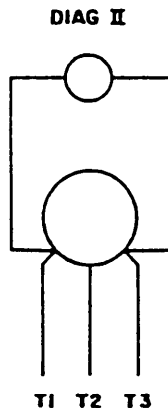
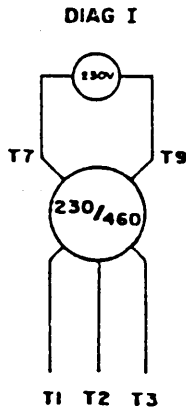
When used as a replacement brake, the coil voltage should be the same as that of the old brake for proper operation.

When used as an add-on brake kit, connections may allow latitude in selection of brake coil voltage.

DIAGRAM I: Allows usage with dual voltage (230/460) motors and permits use of 230 volt brake coil for either line voltage. Brake coil lead connections are to be completed in the motor terminal box.

DIAGRAM II: Allows usage with dual voltage (230/460) motors, and must be used with single voltage motors. Brake coil voltage must equal line voltage. Brake coil lead connections are to be completed in the motor terminal box.

DIAGRAM III: Must be used on any installation where control system uses a startmaster or ballast resistor to cushion motor start. Brake coil voltage must equal line voltage. Wiring must be run to the control system such that the brake coil will receive full voltage.



For additional information, consult W.D. furnished with original equipment when applicable.

SJM 5 • 5 • 82 R4A-BRAKE
23-06575-019

CRANE AND TROLLEY DRIVE LUBRICATION TABLES

DESCRIPTION	AMOUNT (SEE NOTE 1:)	TYPE OF LUBRICANT
DR DRIVE	12 OZ.	MOBIL DTE-AA MULTI-PURPOSE LUBRICATION OIL 20 OR 30 WEIGHT OR EQUIVALENT
MS/MSM MONOTRACTOR GEARCASE	4 OZ.	
DORRIS SPEED REDUCER	SEE BULLETIN	
SM DRIVE	VERT. 2 QT. HORZ. 3 QT.	

NOTE 1: AMOUNTS SHOWN ABOVE ARE APPROXIMATE. FILL TO LEVEL OF "OIL LEVEL PLUG". DO NOT OVERFILL. CHECK OIL LEVEL DURING REGULAR INSPECTIONS. REPLACE OIL ANNUALLY.

DESCRIPTION	AMOUNT	TYPE OF LUBRICANT
GR & GX DRIVE	12 OZ. (SEE NOTE 2:)	UNOCAL UNOBA EP-00 MOBIL MOBILUX EP-0 OR EQUIVALENT STABILIZED OIL OR SEMI-FLUID GREASE EXTREME PRESSURE GEAR LUBRICANT
OPEN HEARING ON CRANE END TRUCKS AND HOIST TROLLEYS	3 - 6 MONTH INTERVALS	MOBIL MOBILUX EP-111 GREASE
BEARINGS W/GREASE FITTINGS	3 - 6 MONTH INTERVALS	UNOCAL UNOBA EP-1 GREASE

NOTE 2: LUBRICATION OF THESE COMPONENTS IS INTENDED TO BE PERMANENT. WHENEVER GEARCASE IS OPENED FOR INSPECTION OR SERVICE, CHECK THE CONDITION OF THE LUBRICANT AND, IF NECESSARY, REPLACE ACCORDING TO THE SPECIFICATIONS LISTED ABOVE.